

Model WMCFP Miniature Sealed Stainless Steel Load Cell

Why the Interface model WMC Miniature Sealed Stainless Steel Load Cell is the best in class:

- Capacities from 500 to 1000g
- Proprietary Interface temperature compensated strain gages
- Tension and compression
- Environmentally sealed
- Overload protected to 8x capacity



STANDARD CONFIGURATION

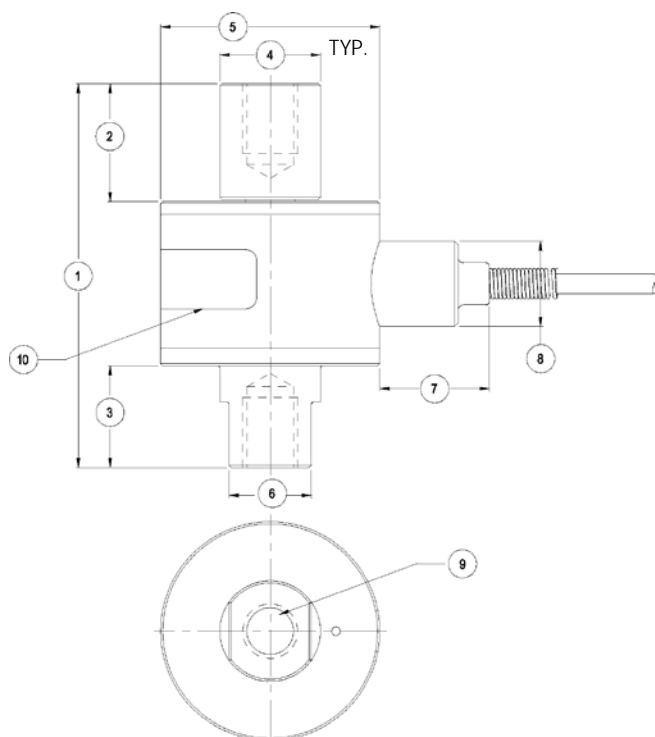
5 ft. Integral Cable

OPTIONS

Extra Cable Length

ACCESSORIES

Instrumentation



SPECIFICATIONS

ACCURACY – MAX

Nonlinearity-% FS	±0.20
Hysteresis-% FS	±0.20
Nonrepeatability-% RO	±0.05
Creep, in 20 min-%	±0.05

TEMPERATURE

Compensated Range-°F	15 to 115
Compensated Range-°C	-10 to 45
Operating Range-°F	-65 to 250
Operating Range-°C	-54 to 121
Effect on Output-%/°F – MAX	±0.002
Effect on Zero- % RO/°F – MAX	±0.005

ELECTRICAL

Rated Output-mV/V (nominal)	2.0
Zero Balance-%RO	±2.0
Bridge Resistance-Ohm (nominal)	350
Excitation Voltage-MAX	15 VDC
Insulation Resistance-Megohm	>5000

MECHANICAL

Calibration	Tension
Safe Overload-% CAP	800
Cable Length-ft	5
Deflection @ RO - inch	0.0005 (500g) 0.0010 (1000g)
Weight-lb	0.2

DIMENSIONS

See Drawing	CAPACITY	
	500g, 1000g	
	inch	mm
(1)	1.75	44.5
(2)	0.52	13.2
(3)	0.52	13.2
(4)	0.46	11.7
(5)	1.00	25.4
(6)	0.38	9.5
(7)	0.50	12.7
(8)	0.39	9.9
(9)	0.250-28 UNF X 0.32 Deep	
(10)	Model, Capacity, Serial Number	