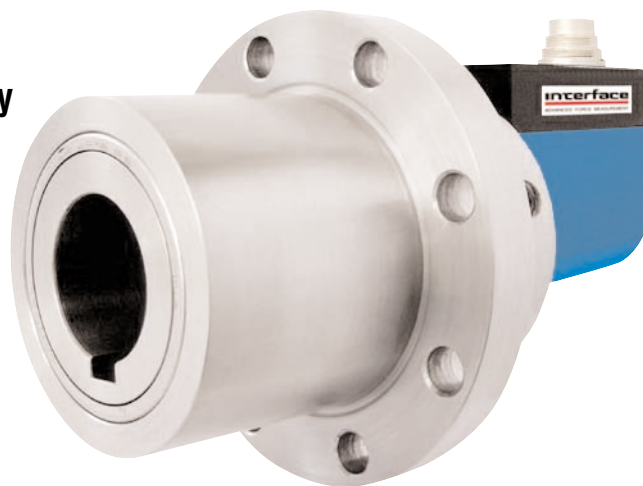


Model T22 Pulley Rotary Torque Transducer

Why the Interface model T22 Pulley Rotary Torque Transducer is the best in class:

- Capacities from 20 to 5K Nm (177 to 44K lb-in)
- ± 5 VDC output
- Digital electronics
- 10 kHz sample rate
- Contactless
- 16-bit resolution



T22 Pulley Rotary Torque Transducer

OPTIONS

Speed & Angle Measurement - 360 Pulse TTL, 2-Tracks 90° Offset, Available on capacities up to 1,000 Nm only

Speed Output - 60 Pulse TTL, 1-Track, Available on capacities 2,000 Nm & above

± 10 V Torque Output
High Speed to 12,000 RPM

ELECTRICAL CONNECTION

12-PIN T22 PULLEY		
Pin	Function	Description
A	NC	-
B	Option Angle B	TTL
C	Signal (+)	± 5 VDC
D	Signal (GND)	0 VDC
E	Supply (GND)	0 VDC, TTL
F	Supply (+)	12-28 VDC
G	Option Angle A	TTL
H	NC	-
J	NC	-
K	Cal. Control	L < 2.0 / H > 3.5 V
L	NC	-
M	Shield	Transducer Housing

SPECIFICATIONS

ACCURACY – (MAX ERROR)

Combined Error-% FS ± 0.1
Nonrepeatability-% ± 0.02

TEMPERATURE

Effect on Zero-% RO/ $^{\circ}$ C ± 0.02
Effect on Output-%/ $^{\circ}$ C ± 0.01
Rated Range- $^{\circ}$ C+5 to +45
Operating Range- $^{\circ}$ C0 to +60

ELECTRICAL

Output-VDC ± 5
Bandwidth, Hz3 kHz-3dB
Calibration Signal-% RO100
Supply Voltage-VDC12 to 28
Supply Current-mA60
Electrical Connection12-pin

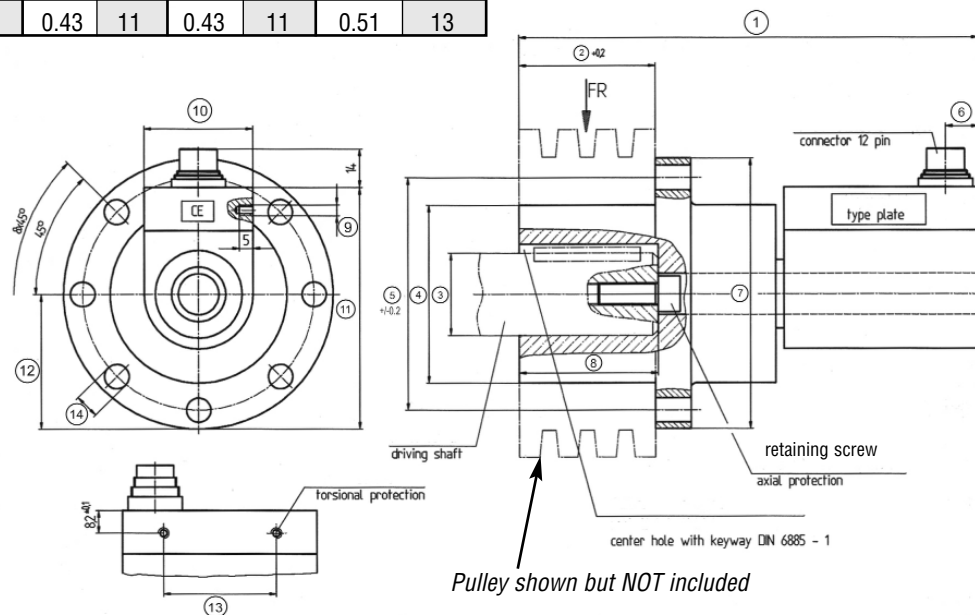
MECHANICAL

Safe Overload-% RO200
Cyclic Load Rating-% RO ± 70 peak
Max Speed - rpmVaries with capacity, see table
HousingAluminum

Model T22 Pulley Rotary Torque Transducer-Capacities 20 to 5K Nm (177 to 44K lb-in)

DIMENSIONS

Nominal Range Torque								
Capacity (Nm)	20, 50, 100, 200		500		1000		2000, 5000	
Equivalent (lb-in)	177, 443, 885, 1,770		4,425		8,850		17,700, 44,254	
	inch	mm	inch	mm	inch	mm	inch	mm
①	6.63	168.5	8.96	227.5	8.96	227.5	11.32	287.5
②	1.97	50	2.36	60	2.36	60	4.43	110
③	0.59 1.18	15 H7/ 30 H7	157 2.17	40 H7/ 55 H7	1.97 2.17	50 H7/ 55 H7	2.36 3.35	60 H7/ 85 H7
④	2.56	65g6	5.51	140g6	5.51	140g6	6.69	170g6
⑤	3.35	85	6.22	158	6.22	158	7.68	195
⑥	0.47	12	0.59	15	0.59	15	0.59	15
⑦	3.90	99	6.93	176	6.93	176	8.66	220
⑧	2.01	51	3.15	80	3.15	80	5.12	130
⑨	M8	M8	M12	M12	M12	M12	M16	M16
⑩	1.57	40	2.28	58	2.28	58	2.28	58
⑪	3.48	88.5	5.31	135	5.31	135	6.18	157
⑫	1.95	49.5	3.43	88	3.43	88	4.33	110
⑬	1.63	41.5	1.16	29.5	1.16	29.5	1.16	29.5
⑭	0.35	9	0.43	11	0.43	11	0.51	13



T22 PULLEY TORQUE TRANSDUCER PERFORMANCE PARAMETERS

CAPACITY (Nm)	MAX RPM		SPRINGRATE (Nm/rad)	MOMENT OF INERTIA, J (Kgxm ²)		MAX RADIAL LOAD, FR (N)
	Standard	Special		Drive Side	Test Side	
20	6,000	12,000	1.3x10 ⁴	1.6x10 ⁻⁴	1.7x10 ⁻³	11,000
50	6,000	12,000	2.6x10 ⁴	1.6x10 ⁻⁴	1.7x10 ⁻³	11,000
100	6,000	12,000	5.3x10 ⁴	1.6x10 ⁻⁴	1.7x10 ⁻³	11,000
200	6,000	12,000	1.1x10 ⁵	1.6x10 ⁻⁴	1.7x10 ⁻³	11,000
500	5,000	10,000	3.1x10 ⁵	2.4x10 ⁻³	4.6x10 ⁻²	37,000
1,000	5,000	10,000	6.7x10 ⁵	2.4x10 ⁻³	4.6x10 ⁻²	37,000
2,000	3,000	5,000	9.4x10 ⁵	1.8x10 ⁻²	1.2x10 ⁻¹	48,000
5,000	3,000	5,000	2.5x10 ⁶	1.8x10 ⁻²	1.2x10 ⁻¹	48,000