

Interface Force Measurements Ltd,

Unit 19 Wellington Business Park,
Dukes Ride, Crowthorne,
Berkshire RG45 6LS. U.K.

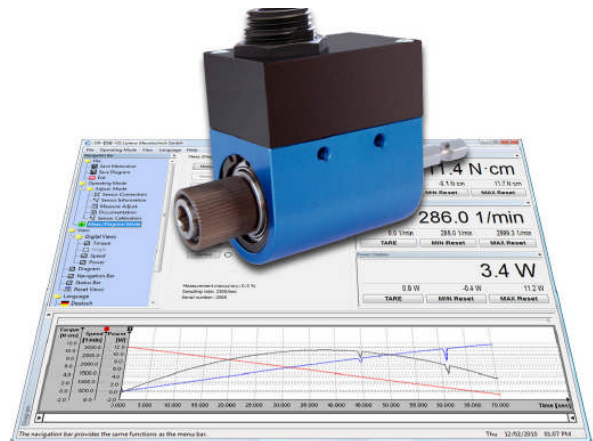
interface

ADVANCED FORCE MEASUREMENT

T15-USB

Hex Drive Rotary Torque Transducer

- Capacities from 0.1 to 20Nm
- Contact-less design, no slip rings
- USB Output, not external power
- 2,500 measurements per second
- Suitable for mobile operation

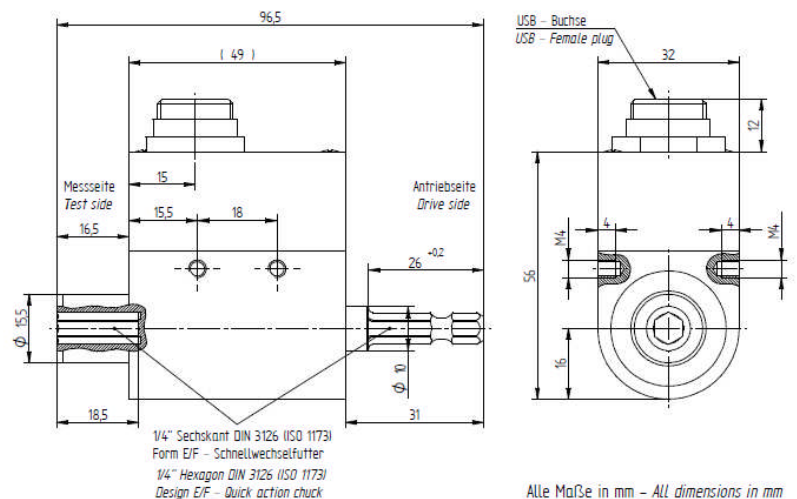


The T15-USB is a 1/4" hex drive rotary transducer supplied complete with Configuration and Evaluation software

Specifications

Capacities (Nm)	0.1, 0.2, 0.5, 1, 2, 5, 10, 15 & 20Nm
Accuracy Class	±0.1% F.S.
Speed Resolution	1min ⁻¹
Speed Accuracy	±1 %FS
Excitation	4 to 6 VDC via USB
Output Signal Torque	±25,000
Sample Rate	2.5 kSample
Output	USB
Nominal Temp. Range	+5 to +45 °C
Operating Temp	-0 to +60 °C
Safe Overload (static)	200% of Capacity
Environmental protection	IP50

Dimensions



Phone +44 (0)1344 776666
Fax +44 (0)1344 774765
E-mail info@interface.uk.com
Web www.interface.uk.com

interface

www.interface.uk.com

Interface Force Measurements Ltd,

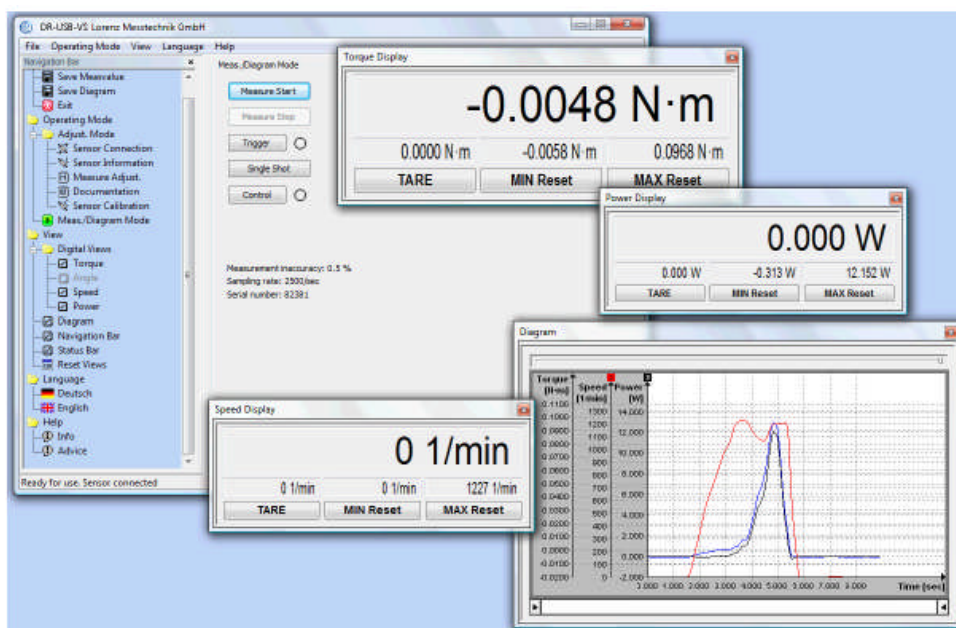
Unit 19 Wellington Business Park,
Dukes Ride, Crowthorne,
Berkshire RG45 6LS. U.K.

interface

ADVANCED FORCE MEASUREMENT

Configuration and Evaluation Software

- Convenient configuration and evaluation software
- Graphic presentation of torque/ speed/ power or torque/ rotation angle
- Automatic y-axis scaling
- Simultaneous storage of up to three physical values
- Automatic storage function of measured values in CSV or BMP files



Description

Configuration and evaluation software for easy analysis and graphic presentation on a PC or laptop

The software allows direct read of measured data into text, CSV or BMP file formats through your PC's USB port. This enables further analysis with commercially available spreadsheet programs at any time

System Requirements; Win2000 Win XP, minimum single core 2.0GHz processor or dual core 1.8GHz

Phone +44 (0)1344 776666
Fax +44 (0)1344 774765
E-mail info@interface.uk.com
Web www.interface.uk.com

interface

www.interface.uk.com

Interface Force Measurements Ltd,

Unit 19 Wellington Business Park,
Dukes Ride, Crowthorne,
Berkshire RG45 6LS. U.K.

interface

ADVANCED FORCE MEASUREMENT

Phone +44 (0)1344 776666
Fax +44 (0)1344 774765
E-mail info@interface.uk.com
Web www.interface.uk.com

interface
www.interface.uk.com