

## Model SML Low Height Load Cell

- Proprietary Interface temperature compensated strain gages
- From 3/4" high (19mm)
- Performance to .05%
- Low extraneous load sensitivity
- Tension and compression
- .0008%/F° temperature effect on output
- Overload protection, SML-5 and SML-10 (SML-22N and SML-45N)



### STANDARD CONFIGURATION

5 ft. (1.5m) Integral Cable (SML-nn)

### OPTIONS

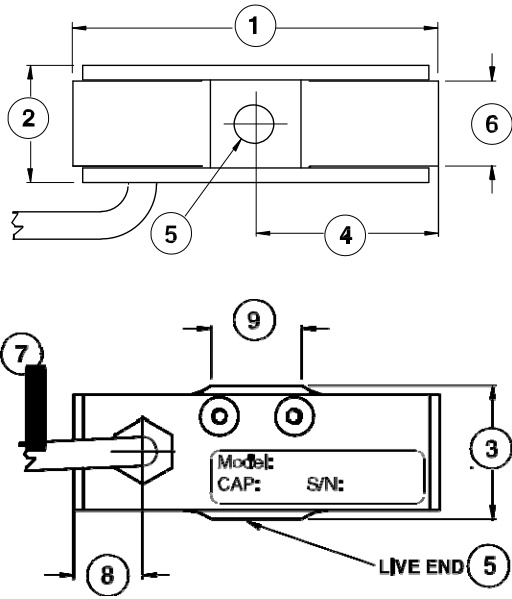
Extra Cable Length  
Studs Instead of Threaded Holes

### ACCESSORIES

Instrumentation

### SPECIFICATIONS

ACCURACY – (MAX ERROR)	5-300 lbf (22-1300N)	500, 1000 lbf (2200, 4500N)	2000 lbf (9000N)	
Nonlinearity-% FS	±0.05	±0.10	±0.20	
Hysteresis-% FS	±0.05	±0.10	±0.10	
Nonrepeatability-% RO	±0.03			
Creep, in 20 min-%	±0.05			
TEMPERATURE				
Compensated Range-°F	0 to 150			
Compensated Range-°C	-15 to 65			
Operating Range-°F	-65 to 200			
Operating Range-°C	-55 to 90			
Effect on Output-%/°F (%/°C)	±0.0008 (±0.0015)			
Effect on Zero- % RO/°F (% RO/°C)	±0.005 (±0.009)			
ELECTRICAL				
Rated Output-mV/V (Nominal)	2.0			
Zero Balance-%RO	±1.0			
Bridge Resistance-Ohm (Nominal)	350			
Excitation Voltage-MAX	15 VDC			
Insulation Resistance-Megohm	> 5000			
MECHANICAL				
Calibration	Tension			
Safe Overload-% CAP				
5, 10 lbf (22, 45N)	800			
25-2000 lbf (110-9000N)	150			
Cable length	5ft (1.5m)			
Natural Frequency/Deflection:				
lbf	N	Deflection		Natural Frequency (Hertz)
		inches	mm	
5,10	22, 45	.005	.13	3000
25	110	.004	.09	2500
50	220	.003	.08	3300
100	450	.003	.08	5000
200, 300	900, 1300	.003	.08	4500
500, 1000	2200, 4500	.003	.08	1800
2000	9000	.004	.09	1800



### DIMENSIONS

See Drawing	CAPACITY							
	5, 10 (lbf) 22, 45 (N)		25, 50, 100 (lbf) 110, 220, 450 (N)		200, 300, 500, 1000 (lbf) 900, 1300, 2200, 4500 (N)		2000 (lbf) 9000 (N)	
	inch	mm	inch	mm	inch	mm	inch	mm
(1)	1.80	45.7	2.00	50.8	2.12	53.8	2.80	71.1
(2)	0.52	13.1	0.64	16.3	0.89	22.6	1.16	29.6
(3)	0.73	18.5	0.73	18.5	0.98	24.8	1.24	31.5
(4)	0.90	22.9	1.00	25.4	1.06	26.9	1.40	35.6
(5)	10-32 UNF-2B .20 deep M5x0.8-6H 5.0 deep		1/4-28 UNF-2B .25 deep M6x1-6H 6.0 deep		3/8-24 UNF-2B .38 deep M8x1.25-6H 8.0 deep		1/2-20 UNF-2B .49 deep M12x1.25-6H 12.4 deep	
(6)	0.34	8.6	0.46	11.8	0.71	18.1	1.00	25.5
(7)	0.13	3.3	0.13	3.3	0.13	3.3	0.13	3.3
(8)	0.29	7.4	0.38	9.7	.46	11.7	0.75	19.0
(9)	0.50	12.7	0.50	12.7	0.57	14.5	0.77	19.6

SML\_UK V1  
01/10/12