

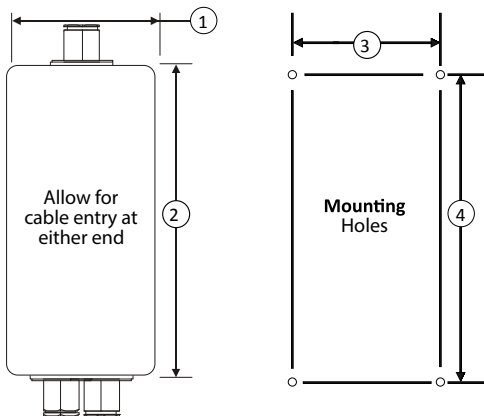
SGA AC/DC POWERED SIGNAL CONDITIONER (US & METRIC)

FEATURES & BENEFITS

- User selectable analog output $\pm 10V$, $\pm 5V$, $0-10V$, $0-5V$, $0-20\text{ mA}$, $4-20\text{ mA}$
- 110 VAC, 220 VAC OR 18-24 VDC power
- Switch selectable filtering 1 Hz to 5 kHz
- Single channel powers up to 4 transducers
- Selectable full scale input range 0.06 to 30 mV/V
- Switch selectable offset $\pm 70\%$ FS
- Sealed ABS enclosure

SPECIFICATIONS

POWER		
AC - VAC, Hz	110, 60 or 220, 50	
DC - VDC	18-24	
EXCITATION		
Voltage - VDC $\pm\%$	10 ± 5	
Current - mA	118	
PERFORMANCE		
Output	V	± 10 , ± 5 Bipolar 0-5, 0-10 Unipolar
	mA	0-20, 4-20 Unipolar or Bipolar
Input Range - mVN	± 0.06 to ± 30	
Max Bandwidth - kHz	6	
Filter - Hz	1 to 5k	
Offset - % FS	± 70	
Nonlinearity - % FS	0.03	
Span Temperature Coefficient - %/ $^{\circ}$ F Max	0.004	
Zero Temperature Coefficient - μV / $^{\circ}$ F Max	0.5	
ENVIRONMENTAL		
Operating Temperature	$^{\circ}$ F	+32 to +122
	$^{\circ}$ C	0 to +50
Dimensions - L x W x H	in	6.3 X 3.1 X 2.2
	mm	160 x 79 x 56
Enclosure	Sealed ABS case, Compression cable seals	

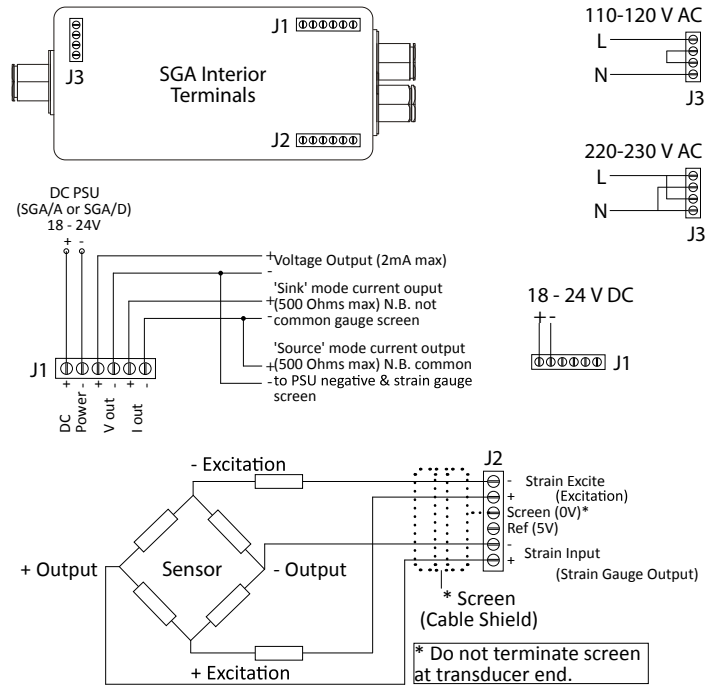


STANDARD CONFIGURATION



MODEL SGA

WIRING DIAGRAM



ACCESSORIES

- AC Power Cord (PWRCRD-SGA-110)

DIMENSIONS

1		2		3		4		Depth	
mm	in	mm	in	mm	in	mm	in	mm	in
80	3.15	160	6.30	50	1.97	148	5.83	55	2.16