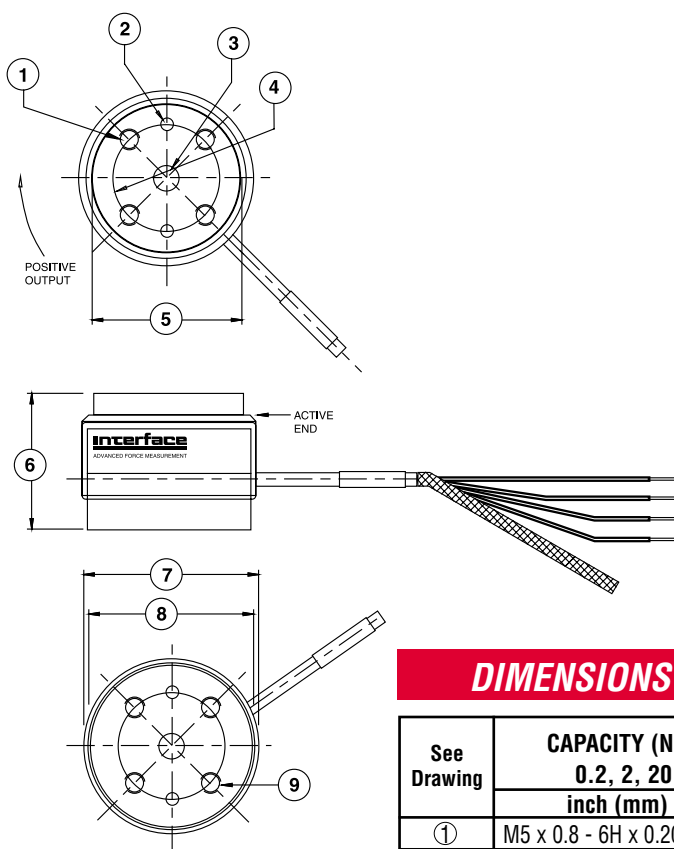


# Model MRT Miniature Reaction Torque Transducer

Why the Interface model MRT Miniature Reaction Torque Cell is the best in class:

- Proprietary Interface temperature compensated strain gages
- Low capacity - as low as 1.77 in-lb (0.2 Nm)
- Small size - 1.6 in OD x 1.25 in
- Excellent linearity & repeatability
- Low deflection - high torsional stiffness



## DIMENSIONS

See Drawing	CAPACITY (Nm)
	inch (mm)
①	M5 x 0.8 - 6H x 0.20 Deep
②	.119 ±0.001 (3.02 ±0.03)
③	.237 thru (6.02)
④	.984 (24.99)
⑤	1.375 (34.95)
⑥	1.25 (31.8)
⑦	1.60 (40.6)
⑧	1.50 (38.1)
⑨	M5 x 0.8 - 6H x 0.20 Deep

## SPECIFICATIONS

Standard Capacities (Nm) .....0.2, 2, 20  
 Equivalent (in-lb) .....1.77, 17.7, 177

**ACCURACY – (MAX ERROR)**  
 Nonlinearity-% FS .....±0.10  
 Hysteresis-% FS .....±0.10  
 Nonrepeatability-% RO .....±0.05  
 Creep, in 20 min-% .....±0.10

**TEMPERATURE**  
 Compensated Range-°F .....15 to 115  
 Compensated Range-°C .....-10 to 45  
 Operating Range-°F .....-65 to 200  
 Operating Range-°C .....-55 to 90  
 Effect on Zero-% RO/100F° .....±0.20  
 Effect on Output-%/100F° .....±0.10

**ELECTRICAL**  
 Rated Output-mV/V (Nominal) .....2.00 ±0.30  
 Zero Balance-% RO .....±1.0  
 Input Resistance-Ohms .....700 + 100/-7  
 Output Resistance-Ohms .....700 ±7  
 Insulation Resistance-Megohm .....>5000  
 Excitation, Nominal .....10 VDC  
 Excitation, Maximum .....20 VDC

**MECHANICAL**  
 Overload:  
 -safe torsion-% CAP .....±150  
 -ultimate torsion-% CAP .....±400  
 -safe side load-N .....13, 110, 400  
     -lbf .....3, 25, 90  
 -safe overhung moment-% CAP .....100  
 -safe mounting torque-Nm .....0.3, 3, 9  
     -in-lb .....2.7, 27, 80  
 Deflection at capacity-radian .....0.007, 0.003, 0.003  
 Cable length-feet .....5