

# HRDTC Integral Coupling Options

## 250 or 500 Nm with Shrink-Disk Hubs



Keyed Hubs

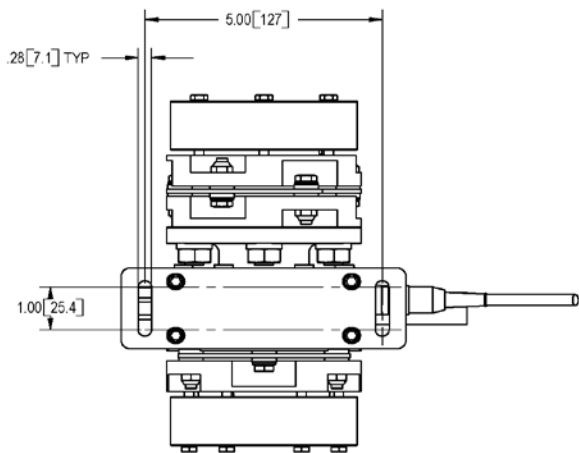
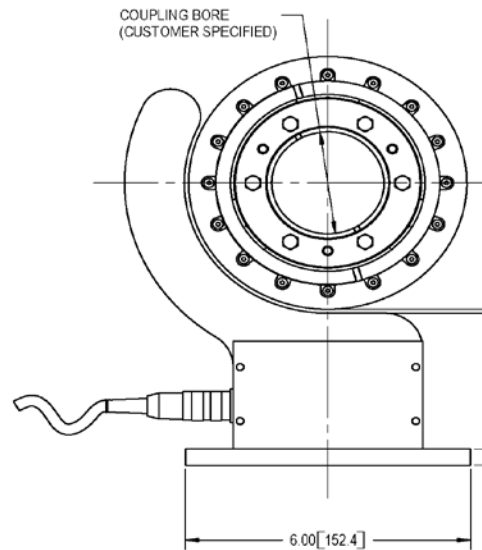
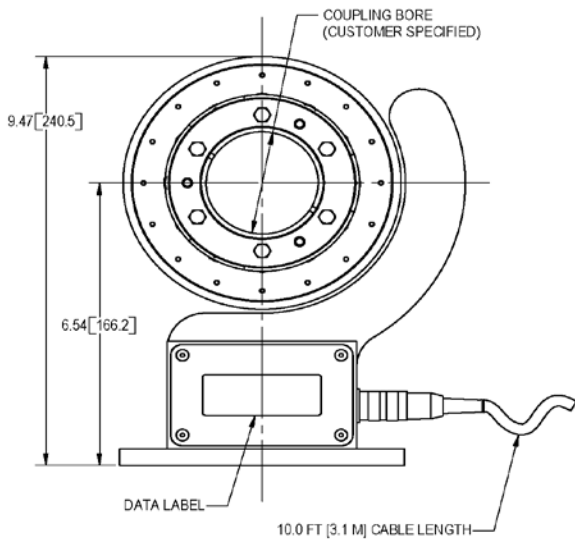


Shrink-Disk Hubs  
(for smooth shafts)

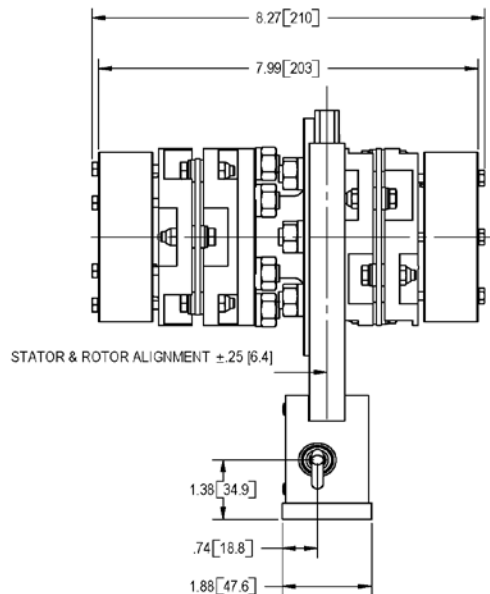


Flange Hub

SAMPLE DRAWING ONLY:  
Consult Factory for Hub and Configuration Options

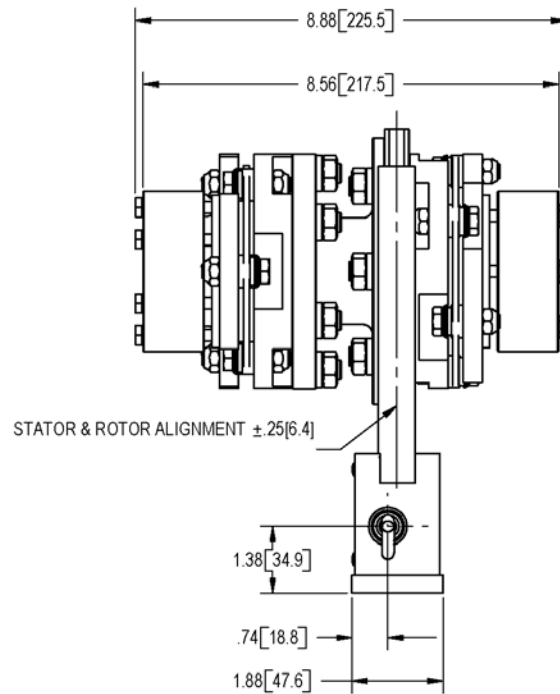
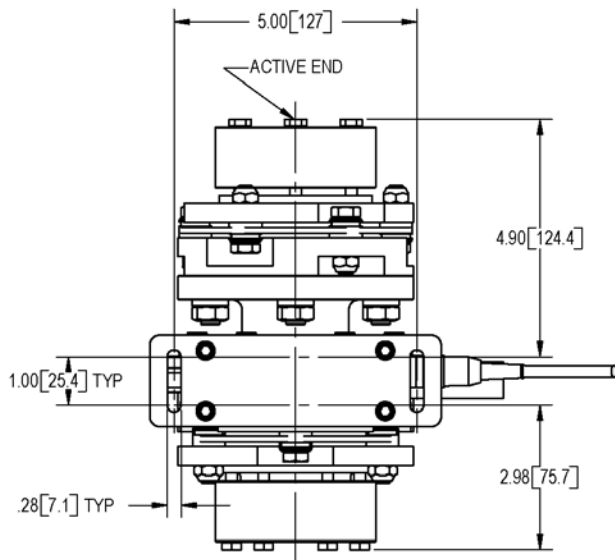
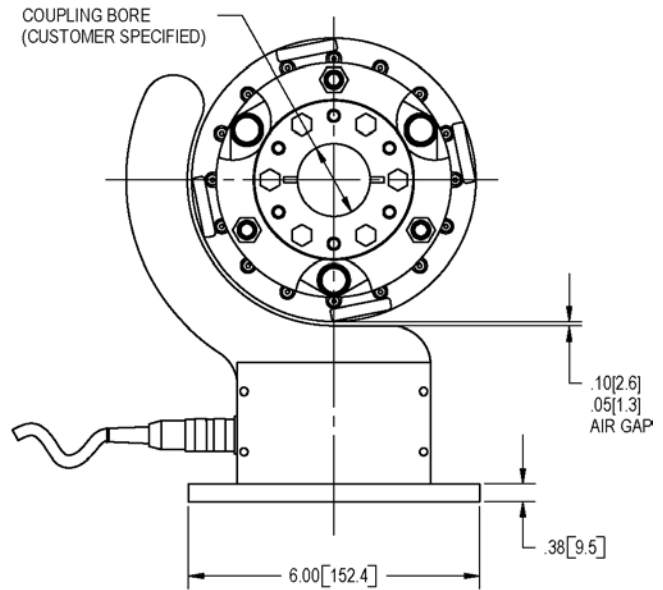
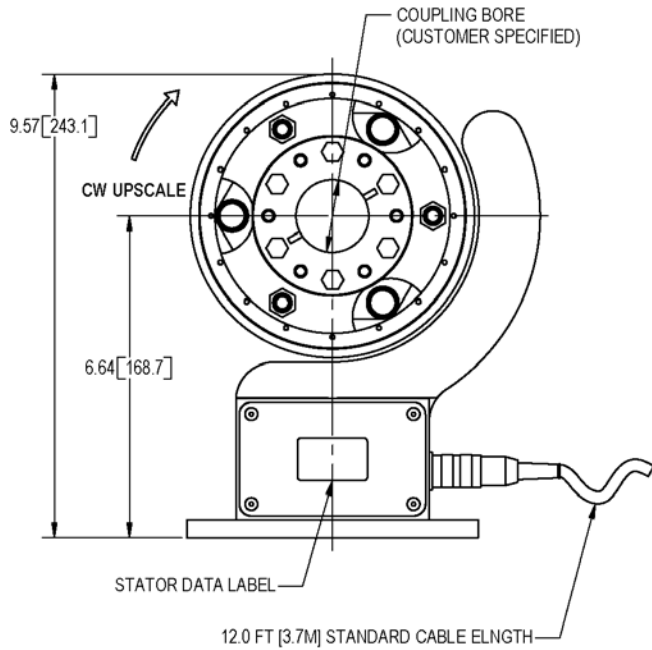


DIMENSIONS IN in[mm]



# HRDTC Integral Coupling Option 1K Nm with Shrink-Disk Hubs

SAMPLE DRAWING ONLY:  
Consult Factory for Hub and Configuration Options



DIMENSIONS IN in[mm]