

## Interface Force Measurements Ltd,

Unit 19 Wellington Business Park,  
Dukes Ride, Crowthorne,  
Berkshire RG45 6LS. U.K.

# interface

ADVANCED FORCE MEASUREMENT

## FLM-W Loadmaster- Wireless Load Link

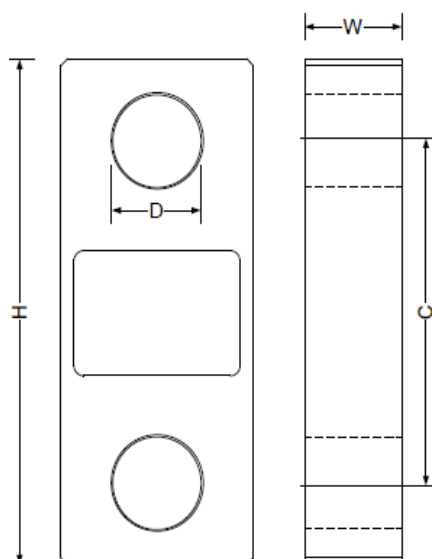
- Capacities from 2.5 to 300 tonnes
- High Accuracy
- Accepts standard safety link shackles
- High resolution wireless display
- Carry Case included
- Constructed in Aluminium Alloy
- Sealed to IP65
- Display in tonnes/ lbs/ kgs/kN

The FLW-W Load-Master is a radio Telemetry load cells designed for crane load indicator, crane shackle, lifting gear safety, aircraft cargo net or over head weighing type applications.

The Wireless Load Master is supplied ready to use, has a line of site range of 100 meters and features an auto switch off function after 20 minutes of no activity



Specifications	
Capacities	2.5, 5,,12 ,25,50, 100, 200 & 300 tonne
Display Resolution	Min 0.04% Full Scale
Battery Life	40 Hours
Range	100 meters, line of sight
Non-Repeatability	<0.02%
Maximum Error	0.2% Combined error
Compensated Temp.	-0 to +50 °C
Operating Temp	-10 to +60 °C
Safe Overload	150% of Capacity
Environmental protection	IP65



Dimensions (mm)

Capacity(T)	H	W	C	D	ØE
2.5, 5	250	95	170	35	27
12	290	101	180	50	37
25	320	127	200	55	43
,50	430	152	250	75	60
100	600	265	320	100	100
200	700	325	350	150	130
300	800	375	420	200	162

**Interface Force Measurements Ltd,**

Unit 19 Wellington Business Park,  
Dukes Ride, Crowthorne,  
Berkshire RG45 6LS. U.K.

**interface**

ADVANCED FORCE MEASUREMENT

---

Phone +44 (0)1344 776666  
Fax +44 (0)1344 774765  
E-mail [info@interface.uk.com](mailto:info@interface.uk.com)  
Web [www.interface.uk.com](http://www.interface.uk.com)

**interface**  
[www.interface.uk.com](http://www.interface.uk.com)