

Model AT103 Axial Torsion Force & Torque Transducer

- Capacities: Force (kN) / Torque (Nm) - 10/10, 20/20
- Compact design
- Bottom cable exit



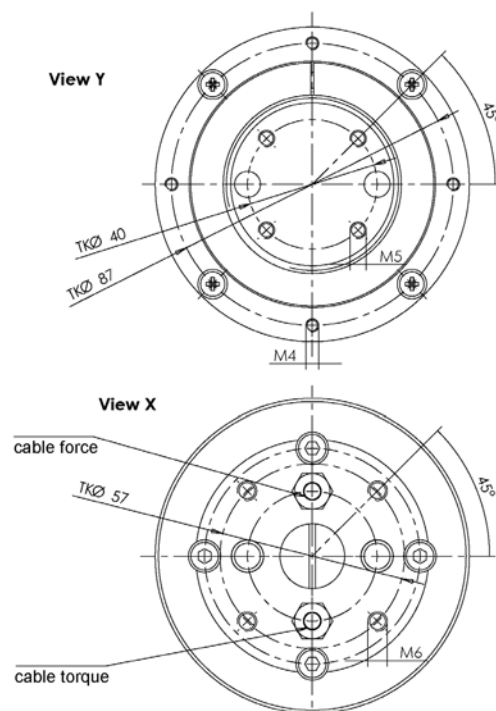
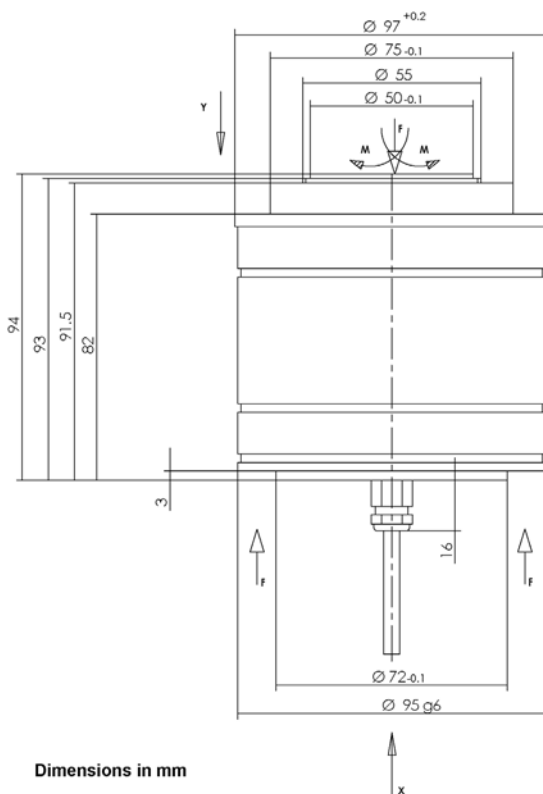
CAPACITIES

MODEL	FORCE	TORQUE
AT103-10kN	10 kN	10 Nm
AT103-20kN	20 kN	20 Nm

SPECIFICATIONS

ACCURACY - (MAX ERROR)	
Nonlinearity - Torque - %FS	+/-0.2
Hysteresis - Torque - %FS	+/-0.2
Nonrepeatability - % RO	+/-0.08
Creep, in 30 min - %	+/-0.1
TEMPERATURE	
Effect on Zero - % RO/°C	+/-0.02
Effect on Output - %/°C	+/-0.02
Compensated Range - °C	0 to +100
Operating Range - °C	-30 to +120
ELECTRICAL	
Output - mV/V	1+/-0.5%
Excitation Voltage - VDC	2-12
Bridge Resistance - Ohm	350
Electrical Connection	2 cables (3 meters each)
MECHANICAL	
Safe Overload - % RO	150
IP Rating	40

DIMENSIONS



AT103
2013.07.31