

# Model AT102 Axial Torsion Force & Torque Transducer

- Capacity 10 kN (force) / 10 Nm (torque)
- Compact design
- Side cable exit



## OPTIONS

Internal Shunt Resistor – 100% output

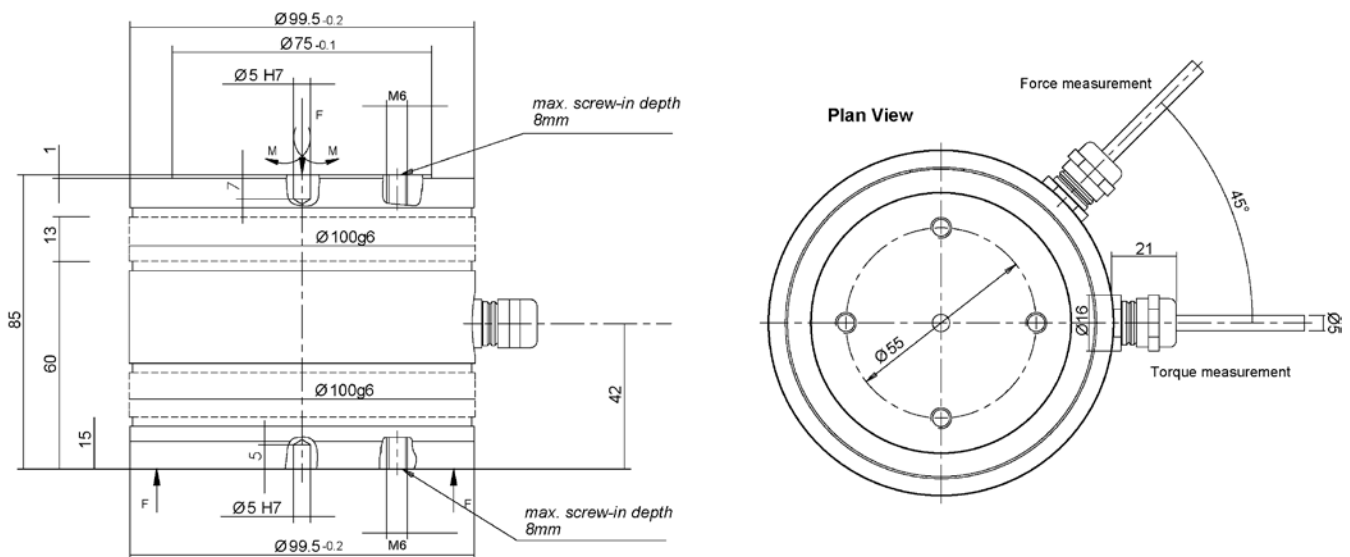
## CAPACITIES

MODEL	FORCE	TORQUE
AT102-10kN	10 kN	10 Nm

## SPECIFICATIONS

ACCURACY – (MAX ERROR)	
Nonlinearity – Torque - %FS	+/-0.2
Hysteresis – Torque - %FS	+/-0.2
Nonrepeatability - % RO	+/-0.08
Creep, in 30 min - %	+/-0.1
TEMPERATURE	
Effect on Zero - % RO/°C	+/-0.02
Effect on Output - %/°C	+/-0.02
Compensated Range - °C	-10 to +50
Operating Range - °C	-30 to +80
ELECTRICAL	
Output – mV/V	1+/-15%
Excitation Voltage – VDC	2-12
Bridge Resistance – Ohm	350
Electrical Connection	2 cables (3 meters each)
MECHANICAL	
Safe Overload - % RO	150
IP Rating	40

## DIMENSIONS



AT102  
2013.07.31