



PVC SUBMERSIBLE LEVEL TRANSMITTER

MODEL 313G

FEATURES:

- 1.25" (3.175 cm) diameter poly vinyl chloride housing
- Available with bullet nose or flush ceramic diaphragm
- 0 to 3 PSI thru 0 to 300 PSI (7 feet WC thru 692)
- Corrosion resistant Sically Safe: II 1 G Ex ia IIC T5 Gc
- ATEX Zone 2: II 3 G Ex nA/ic IIC T5 Gc

APPLICATIONS:

- Submersible pump lift station level monitoring
- Water tanks and reservoirs
- Process sumps
- Water and wastewater level monitoring
- Water recycling
- Other aggressive media

PRODUCT OVERVIEW:

Model 313G utilizes a flush ceramic sensor to reduce grease and bio-solid buildup and minimize cleanup. The chemical resistant PVC provides stability and continued performance under the harsh conditions associated with waste water and other aggressive media applications.

FIELD OPTIONS:

- Additional lengths, Tefzel® or Hytrel jacketed cable
- 0-5Vdc output
- SAE-4, flush ceramic, or bullet nose process connection



Optional PVC Bullet Nose



Standard Flush Port

Model 313G

PVC Submersible Level Transmitter

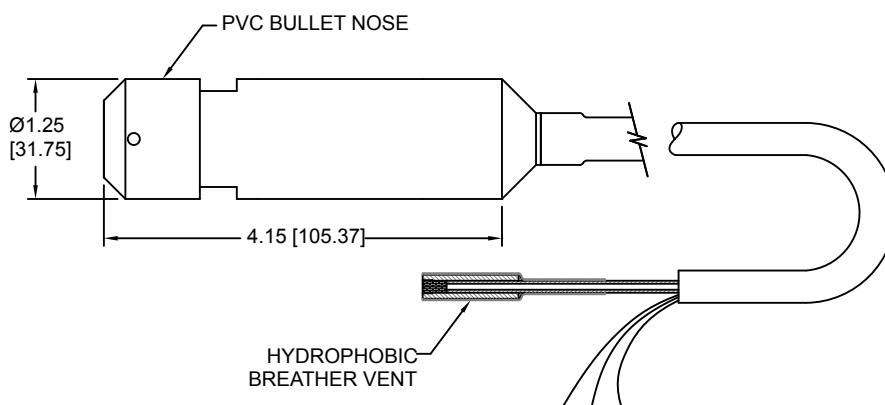
GP:50 MODEL 313G

DIMENSIONAL DRAWING

All dimensions are in inches (mm)

STANDARD WIRING

WIRE	MODEL 313G
RED	+EXC/SIG
BLK	-EXC/SIG
GRN	N/C
WHT	N/C
SHIELD	OPEN



Optional PVC Bullet Nose Shown

REFERENCE SPECIFICATIONS

ELECTRICAL
<ul style="list-style-type: none"> • Supply Voltage: 9 to 36 Vdc • Output Signal: 4-20 mA output • Circuit Protection: Short circuit or reversed wired – Indefinite • Load Resistance: 1400 Ω max. at 40 Vdc excitation • Response Time: ≤5 ms to 90% • Connection: Molded Hytrel jacketed, 6-conductor with breather tube, 24 AWG, 8' long, optional lengths available, Tefzel jacketed cable optional
MATERIALS OF CONSTRUCTION
<ul style="list-style-type: none"> • Housing: Poly vinyl chloride • Wetted Material: Ceramic Al₂O₃ 96%
STATIC ACCURACY (RSS) (HYSTERESIS, NON-LINEARITY & REPEATABILITY @ +70 °F)
Standard: ±0.5% FSO, ±0.2% FSO, and ±0.1% FSO

MECHANICAL
<ul style="list-style-type: none"> • Zero Balance and FSO: ±1.0% FSO @ +70 °F • Process Connection: Flush ceramic, options available • External Pressure: Rated to 500 PSI (1,153 ft WC) max. • Proof Pressure: 2X FSO • Burst Pressure: 4X FSO • Approximate Weight: 10 oz (0.3 kg) nominal, options may increase weight • Diameter: 1.25" (3.175 cm)
PRESSURE RANGES
<ul style="list-style-type: none"> • 0-2psi thru 300 psi (7FTWC- 692 FTWC)
THERMAL SPECIFICATIONS
<ul style="list-style-type: none"> • Compensated: 32 °F to +140 °F (0 °C to +60 °C) • Operating: 32 °F to +170 °F (0 °C to +76 °C) • Storage: -40 °F to +150 °F (-40 °C to +65.5 °C) • Effect on Zero/Span: <±2.0% FSO/100 °F at full scale

**Standard configurations shown.
Please consult factory for other options.**

All specifications are for reference purposes only. In the interests of continuous product improvement, all specifications are subject to change without notice. Please contact GP:50 for assistance with your application.

© 2014 GP:50 NY Ltd. | **UK Distributor; Interface Force Measurements Ltd**

Tel: +44(0)1344 776666 **Fax:** +44(0)1344 774765 **Email:** info@interface.uk.com **Web:** www.gp50.co.uk

