



EXTREME HIGH-TEMPERATURE TRANSDUCER

MODEL 7770

FEATURES:

- Rated to +500 °F (+260 °C) process temperatures
- Designed to 2000 PSI (138 BAR) system pressure
- Lightweight, <10 oz. (0.2 kg)
- Hydrogen and LOX compatibility
- Platinum RTD
- Remote electronics via stainless steel armored flex

APPLICATIONS:

- High temperature gas measurement
- Propulsion Systems
- Military and Defense Applications

PRODUCT OVERVIEW:

The Model 7770 Series from GP:50 is a family of extreme high-temperature transducers, offering consistent measurement accuracy in temperatures up to +500 °F (+260 °C). Their lightweight, all stainless steel construction incorporates on-board isolated electronics, which are remotely mounted via stainless steel armor jacketed flex tubing. The onboard electronics are designed to offer a high-level 4-20 mA, 0 to 5 Vdc, or 0 to 10 Vdc output. Direct transducer mounting can also provide greater process media measurement accuracy. The high-reliability of the Model 7770 Series has been field-proven over 25 years and hundreds of applications.

FIELD OPTIONS:

- Custom temperature probe lengths
- 0 to 5 Vdc, 0 to 10 Vdc (3-wire and 4-wire isolated or (non-isolated or 4-20 mA output available)
- Cleaned for oxygen service
- Alternate remote electronic cable lengths

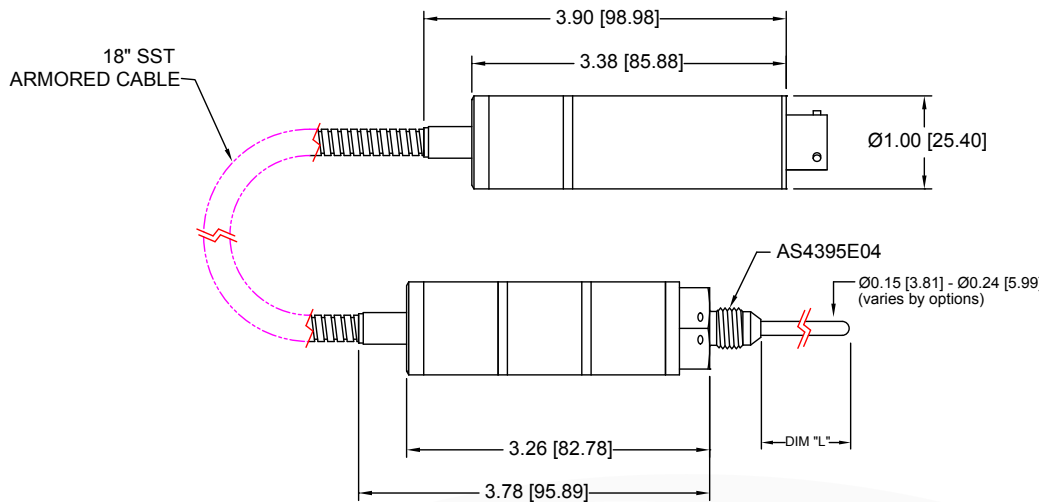


Model 7770
Extreme High-Temperature Transducer

GP:50 MODEL 7770

DIMENSIONAL DRAWING

All dimensions are in inches (mm)



STANDARD WIRING

PIN	VDC	4-20mA
A/1	+EXC	+EXC/SIG
B/2	+SIG	N/C
C/3	-SIG	N/C
D/4	-EXC	-EXC/SIG
E/5	N/C	N/C
F/6	N/C	N/C

L = 0.50 TO 7.00 INCH PROBE LENGTH

REFERENCE SPECIFICATIONS

ELECTRICAL <ul style="list-style-type: none"> • Output Signal: 0 to 5 Vdc, 0 to 10 Vdc (isolated or non-isolated) and 4-20 mA • Supply Voltage: 18 to 36 Vdc • Temperature Output: 100 Ω 2-wire platinum RTD standard (Optional 1,000 Ω 2-wire platinum RTD) • Response Time: <2 sec • Connection: MIL PTIH-10-6P standard, options available • Circuit Protection: meets MIL-STD-461/462 EMI/RFI, some options will affect EMI/RFI rating 	MECHANICAL <ul style="list-style-type: none"> • Process connection: AS4395E04 pressure port • Probe Length: 1.55" (custom lengths available)
MATERIALS OF CONSTRUCTION <ul style="list-style-type: none"> • Probe: 17-4 stainless steel (Optional Inconel, Hastelloy and Monel) • Housing: 316 stainless steel • Flex Tubing: 18" armored capillary tube 	TEMPERATURE RANGES <p>+70 °F to +500 °F (+20 °C to +260 °C)</p>
ACCURACY <p>Static Accuracy: ±3% FSO (Optional +1% FSO)</p>	SYSTEM PRESSURE <p>Up to 2000 PSI (138 BAR)</p>
	OPTIONAL <ul style="list-style-type: none"> • NIST Traceability/Calibration: ANSI-Z540-1 • Workmanship: J-001/NASA 8739.3 standard • Quality System: ISO 9001:2008

**Standard configurations shown.
Please consult factory for other options.**

All specifications are for reference purposes only. In the interests of continuous product improvement, all specifications are subject to change without notice. Please contact GP:50 for assistance with your application.

© 2014 GP:50 NY Ltd. | U.K. Distributor Interface Force Measurements Ltd

Tel: 01344 776666 Fax: 01344 774765 Email: info@interface.uk.com Web: www.gp50.co.uk

