



## SUBMERSIBLE PUMP LIFT STATION / SLUDGE LEVEL TRANSMITTER

### MODEL 311-M351

#### FEATURES:

- 3-inch diameter sensing diaphragm resists clogging
- Protective baffle plate reduces risk of sensor damage
- Corrosion-resistant, all stainless steel construction
- Submersible to 1,100 feet (335 meters) WC
- Surge protection from lightning strikes and voltage spikes
- Ranges from 0 to 10 thru 0 to 1,100 feet WC (0 to 3 thru 0 to 335 meters WC)

#### APPLICATIONS:

- Submersible pump lift station level monitoring
- Wet wells
- Process sumps
- Water tanks and reservoirs
- Process sludge (including heavy sludge)
- Water and wastewater level monitoring

#### PRODUCT OVERVIEW:

The Model 311-M351 from GP:50 is a submersible lift station and sludge level transmitter. Its all stainless-steel design incorporates a 3-inch diameter clog-resistant sensing diaphragm and corrosion-resistant protective baffle plate. These features facilitate high-accuracy level measurements, even in heavy sludge conditions. This combination of durability and accuracy, along with over 25 years of proven field service, have helped make the GP:50 Model 311-M351 an industry gold standard for water and wastewater level monitoring.

#### FIELD OPTIONS:

- Optional FM/CSA hazardous approvals
- External lightning / surge protection package optional
- 4-20 mA or 0 to 5 Vdc output
- Optional temperature output



Model 311-M351  
Submersible Pump Lift Station /  
Sludge Level Transmitter



© 2014 GP:50 NY Ltd. | U.K. Distributor Interface Force Force Measurements Ltd

Tel: 01344 776666

Fax: 01344 774765

Email: [info@interface.uk.com](mailto:info@interface.uk.com)

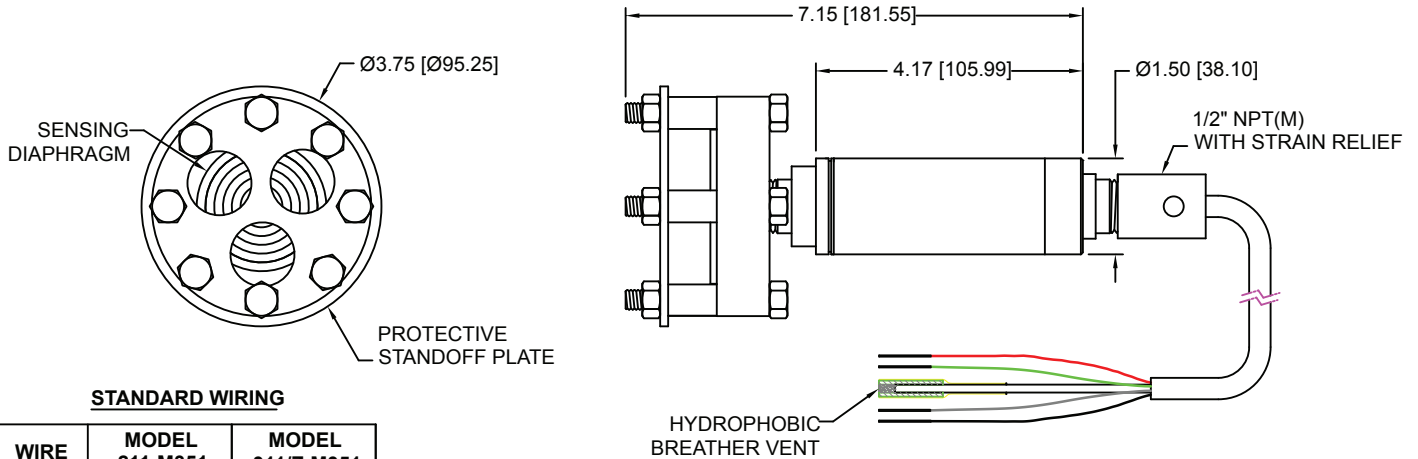
Web: [gp50.co.uk](http://gp50.co.uk)

A5SL-038

# GP:50 MODEL 311-M351

## DIMENSIONAL DRAWING

All dimensions are in inches (mm)



### STANDARD WIRING

WIRE	MODEL 211-M351	MODEL 311/Z-M351
1/RED	+EXC	+EXC/SIG
2/GRN	+SIG	N/C
3/WHT	N/C	N/C
4/BLK	-EXC/SIG	-EXC/SIG
5/BLU	N/C	N/C
6/BRN	N/C	N/C
SHIELD	OPEN	OPEN

## REFERENCE SPECIFICATIONS

ELECTRICAL	STATIC ACCURACY (RSS) (HYSTERESIS, NON-LINEARITY & REPEATABILITY @ +70 °F)
<ul style="list-style-type: none"> <li><b>Supply Voltage:</b> (Model 211-M351) 10.5 to 42 Vdc (Model 311/Z-M351) 9 to 36 Vdc</li> <li><b>Output Signal:</b> (Model 211-M351) 0 to 5 Vdc (Model 311/Z-M351) 4-20 mA</li> <li><b>Circuit Protection:</b> RFI and EMI surge protection</li> <li><b>Load Impedance:</b> (Model 211-M351) 50K Ω min. for &lt;0.1% FSO attenuation (Model 311/Z-M351) 1,350 Ω max. at 36 Vdc and 750 Ω at 24 Vdc</li> <li><b>Input Current:</b> (Model 211-M351) 8 mA, nominal</li> <li><b>Insulation Resistance:</b> &gt;10 MΩ at 50 Vdc and +70 °F</li> <li><b>Connection:</b> 1/2" NPT (M) conduit with 40 feet of 3-conductor, 18 AWG Hytrel jacketed cable (optional Tefzel jacketing)</li> </ul>	Standard ±0.5% Optional ±0.2% <ul style="list-style-type: none"> <li><b>Zero Balance and FSO:</b> ±1% FSO at +70 °F</li> </ul>
MATERIALS OF CONSTRUCTION	MECHANICAL
All 316 stainless steel construction of sensor, baffle plate and housing	<ul style="list-style-type: none"> <li><b>Process Connection:</b> Oil filled diaphragm</li> <li><b>Proof Pressure:</b> 2X FSO or 22,500 PSI (1,551 BAR), whichever is less</li> <li><b>Burst Pressure:</b> 5X FSO or 22,500 PSI (1,551 BAR), whichever is less</li> <li><b>External Pressure:</b> 500 PSI max. (35 BAR)</li> <li><b>Weight:</b> 5.5 lb (2.5 kg)</li> </ul>
	PRESSURE RANGES
	0 to 5 thru 0 to 500 PSI (0 to 10 feet thru 0 to 1,153 feet WC) (0 to 3 thru 0 to 335 meters WC)
	THERMAL SPECIFICATIONS
	<ul style="list-style-type: none"> <li><b>Compensated:</b> -0 °F to +140 °F (-17.7 °C to +60 °C)</li> <li><b>Operating Ambient:</b> -40 °F to +150 °F (-40 °C to +66 °C)</li> <li><b>Effect on Zero/Span:</b> ±2.0% FSO/100 °F</li> </ul>

All specifications are for reference purposes only. In the interests of continuous product improvement, all specifications are subject to change without notice. Please contact GP:50 for assistance with your application.