



HIGH RANGE DIFFERENTIAL PRESSURE TRANSMITTER

MODEL 115 / 215 / 315



Model 115 / 215 / 315
High Range Differential
Pressure Transmitter



FEATURES:

- Ranges from 30 PSID (2 BAR D) to 7,500 PSID (317 BAR D)
- Line pressure to 10K PSI (690 BAR)
- Rugged, all welded, 316L construction
- No seals or o-rings
- Compact size
- Bi-directional operation
- Optional FM & CSA Explosion-proof approval
- Optional FM, CSA or ATEX Intrinsically safe approval

APPLICATIONS:

- Pump and compressor skids
- Hydraulic test stands
- Drilling Rig top drive controls

PRODUCT OVERVIEW:

The Model 115/215/315 from GP:50 is a family of compact, high-range differential pressure transducers. Series units are offered in ranges as low as 0 to 30 PSID (0 to 2 BAR D), with a line pressure range to 10K PSI (690 BAR). Their all-welded, corrosion-resistant, 316L stainless steel construction is without seals or o-rings, helping to ensure their continued reliability within demanding environments. Optional FM, CSA, ATEX intrinsic safety approvals are also available.

FIELD OPTIONS:

- mV/V, Vdc and 4-20 mA output
- Zero & span adjustments
- Alternate process and electrical connections
- Bi-directional operation
- Line pressure to 10K PSI (690 BAR)

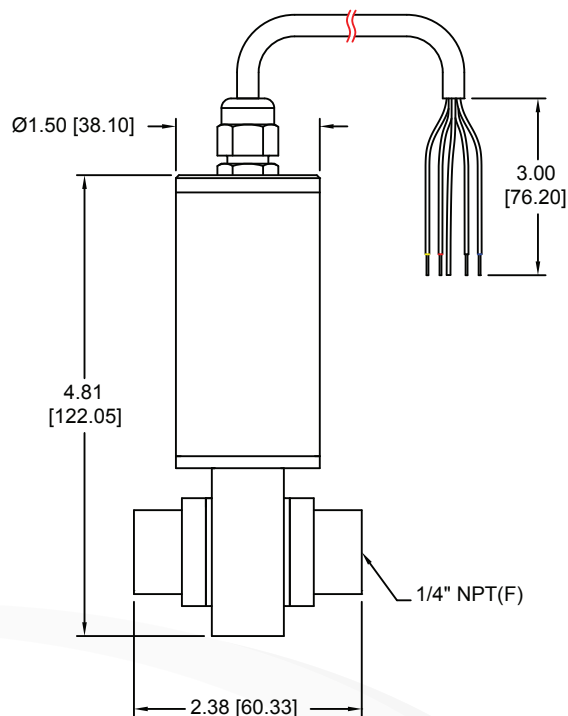
GP:50 MODEL 115 / 215 / 315

DIMENSIONAL DRAWING

All dimensions are in inches (mm)

STANDARD WIRING

WIRE	MODEL 115	MODEL 215	MODEL 315
1/RED	+EXC	+EXC	+EXC/SIG
2/GRN	+SIG	+SIG	N/C
3/WHT	-SIG	N/C	N/C
4/BLK	-EXC	-EXC/SIG	-EXC/SIG
5/BLU	+SHUNT (OPT)	+SHUNT (OPT)	+SHUNT (OPT)
6/BRN	-SHUNT (OPT)	-SHUNT (OPT)	-SHUNT (OPT)
SHIELD	OPEN	OPEN	OPEN



REFERENCE SPECIFICATIONS

ELECTRICAL
<ul style="list-style-type: none"> • Supply Voltage: (Model 115) 3.5 to 15 Vdc excitation (Model 215) 9.0 to 40 Vdc excitation 0 to 10 Vdc output requires 13 to 40 Vdc excitation (Model 315/315Z) 9.0 to 36 Vdc excitation • Zero Balance and FSO: $\pm 2\%$ FSO at $+70\text{ }^\circ\text{F}$ • Output Signal: (Model 115) 3 mV/V (Model 215) 0 to 5 Vdc (alternate outputs available) (Model 315) 4-20 mA • Input Impedance: (Model 115) 5K Ω nominal • Load Impedance: (Model 115) 50K Ω min. for $<0.1\%$ FSO attenuation (Model 215) 750 Ω max. at 24 Vdc and 1,350 Ω at 36 Vdc • Circuit Protection: RFI and EMI • Connection: 36" long PVC jacketed, 24 AWG, 4 conductor cable with shield
MATERIALS OF CONSTRUCTION
<ul style="list-style-type: none"> • Wetted Parts: 316 stainless steel (options available consult factory) • Housing: 316 stainless steel

STATIC ACCURACY (BFSL) (HYSTERESIS, NON-LINEARITY & REPEATABILITY @ $+70\text{ }^\circ\text{F}$)
Standard: $\pm 1.0\%$ FSO Improved: $\pm 0.5\%$ FSO or $\pm 0.2\%$ FSO
MECHANICAL
<ul style="list-style-type: none"> • Process Connection: 1/4" NPT (F) • Static Line Pressure: 2000 PSI (10,000 PSI optional with flange girdle) • Zero shift with line pressure: $< \pm 1.0\%$ FSO/1K PSID • Proof Pressure: 10X FSO or 3K PSI (207 BAR) whichever is less, 10K PSI (690 BAR) optional • Burst Pressure: 15X FSO or 4K PSI (276 BAR) whichever is less, 10.5K PSI (724 BAR) optional • Approximate Weight: < 1.5 lbs (0.7 kg) (some options may affect weight)
PRESSURE RANGES
<ul style="list-style-type: none"> • 30 PSID (2 BAR D) to 7,500 PSID (317 BAR D)
THERMAL SPECIFICATIONS
<ul style="list-style-type: none"> • Compensated: $+70\text{ }^\circ\text{F}$ to $+180\text{ }^\circ\text{F}$ ($+21\text{ }^\circ\text{C}$ to $+82\text{ }^\circ\text{C}$) • Operating: $-20\text{ }^\circ\text{F}$ to $+190\text{ }^\circ\text{F}$ ($-29\text{ }^\circ\text{C}$ to $+88\text{ }^\circ\text{C}$) • Storage: $-65\text{ }^\circ\text{F}$ to $+250\text{ }^\circ\text{F}$ ($-53\text{ }^\circ\text{C}$ to $+121\text{ }^\circ\text{C}$) • Effect on Zero/Span: $\pm 2.0\%$ FSO/100 $^\circ\text{F}$

**Standard configurations shown.
Please consult factory for other options.**

All specifications are for reference purposes only. In the interests of continuous product improvement, all specifications are subject to change without notice. Please contact GP:50 for assistance with your application.

© 2014 GP:50 NY Ltd. | U.K. Distributor Interface Force Measurements Ltd

Tel: 01344 776666 Fax: 01344 774765 Email: info@interface.uk.com Web: www.gp50.co.uk

