



Pressure, Level & Temperature Transmitters & Transducers

U.K. Distributor; Interface Force Measurements

Tel. 01344 776666 • Fax. 01344 774765

e-mail info@interface.uk.com •

www.interface.uk.com

FLIGHT QUALIFIED DIFFERENTIAL PRESSURE TRANSDUCER

Model 7300

Designed for the tough challenges and environmental rigors of space propulsion and aviation pressure testing.

FEATURES:

- High accuracy and reliability
- Compact, rugged design
- Lightweight, <8oz.
- Non-Oil filled design

Typical Applications:

- Satellites
- Launch Vehicles
- On-Board Military Vehicles

Heritage Includes:

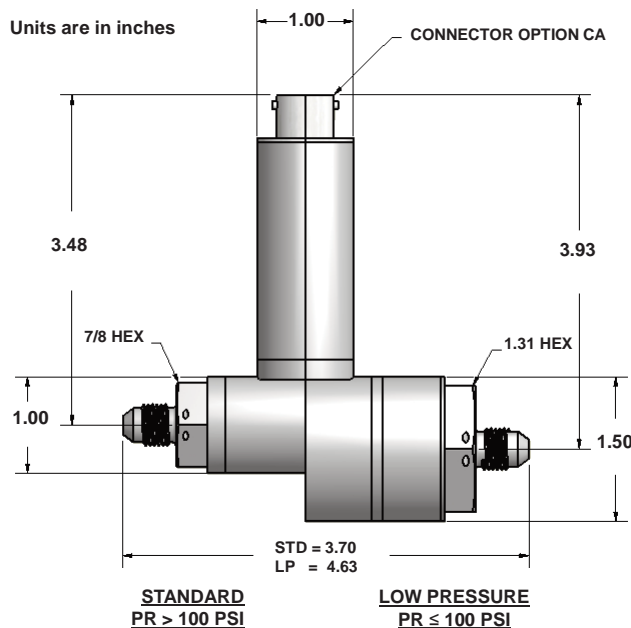
- NASA
- Lockheed Martin (EELV)
- Johns Hopkins APL
- Shuttle Upgrade
- Boeing
- Northrop Grumman - ABL



GP:50 Aerospace transducers are manufactured and tested to the following MIL-STD & MIL-Spec to insure the highest quality:

- NIST Traceability and Calibration..... ANSI-Z540-1
 - Workmanship J-001 / NASA 8739.3 standards
 - Quality System ISO 9001:2008
- Transducer Design Meets: MIL-STD-810F
MIL-STD-461E

SEE INSTALLATION MANUAL FOR PINOUT ASSIGNMENT BASED ON ELECTRONICS OPTIONS



WIRING CODE

PIN	4-20 MA	4-WIRE MV/V & VDC ISOLATED	4- WIRE VDC NON-ISOLATED *	3-WIRE VDC
A/1	+EXC/SIG	+EXC	+EXC	+EXC
B/2	N/C	+SIG	+SIG	+SIG
C/3	N/C	-SIG	-SIG *	N/C
D/4	-EXC/SIG	-EXC	-EXC *	-EXC/-SIG
E/5	N/C	N/C	N/C	N/C
F/6	N/C	N/C	N/C	N/C

* COMMONS JUMPERED

STANDARD WIRING. OPTIONS MAY AFFECT PIN OUT

A5SL-7300.00 Rev C

GP:50 reserves the right to make product improvements and amendments to the product specifications stated throughout this brochure without prior notification. Please contact the factory on all critical dimensions and specifications for verification.



Pressure, Level & Temperature Transmitters & Transducers

U.K. Distributor; Interface Force Measurements

Tel. 01344 776666 • Fax. 01344 774765

e-mail info@interface.uk.com •

www.interface.uk.com

Specifications and options reflect standard product with amplified output. Non-amplified & other performance / mechanical / electrical / options available, consult factory for more information. Modifications may alter specs.

Ranges	15 thru 15,000 PSID (Bi-directional or uni-directional)
Proof Pressure (High & Low side)	2 X Pressure Range or 22,500 psi max, whichever is less.
Static Line Pressure	2 X Pressure Range or 22,500 psi max, whichever is less.
Burst Pressure (High & Low side)	3 X Pressure Range or 22,500 psi max, whichever is less.
Zero Balance / Span Balance	±1% FSO Each
Static Accuracy	<±0.3% FSO RSS (BFSL)
Non-Repeatability	<±0.1% FSO
Non-Linearity (Terminal)	<±0.2% FSO
Hysteresis	<±0.2% FSO
Thermal Error	Zero ±1.0% FSO / 100° F Span ±1.0% FSO / 100° F
Total Error Band (all 5 parameters)	±2.3% FSO
Line Pressure Effect (Zero)	<±1% FSO with line pressure applied
Response Time	< 4 ms
Excitation	18V-36 Vdc (others available)
Input Current	4 -Wire Isolated Vdc Options - 45mA nominal / Non-Isolated Vdc -10mA nominal
Output Current (VDC Units)	2 mA max for <0.1% FSO attenuation
Load Impedance (4-20mA Units)	1,350 ohms max. at 36 Vdc, 750 ohms max. at 24 Vdc, 300 ohms max. at 18 Vdc
Temperature Limits	
Compensated	-10°F to +180°F (-23°C to +82°C)
Operating	-20°F to +190°F (-29°C to +88°C)
Wetted Parts	316 SST & 17-4 SST (Inconel or Hastelloy optional)
Pressure Port	MS 33656-4 (M) standard
Electrical Connector	PTIH-10-6P standard
Weight	8 oz. (some options may affect weight)
Design meets MIL-STD-461/EMI/RFI	Some options may affect EMI/RFI rating

ORDERING GUIDE:

MODEL	OUTPUT	RANGE	PRESSURE TYPE	OPTIONS
●	—	●	—	●

Some options will affect dimensions, consult factory if important.
Use the following codes to identify desired item.

Example: 7300-2-RH-D-CA/FD/GH

OUTPUT

- 2 0-5 Vdc (Non-Isolated, 4 wire hookup)
- 3 4-20 mA (Recommended for long cable runs)
- 4 0-5 Vdc (Isolated, 4 wire hookup)
- 5 0-10 Vdc (Non-Isolated, 4 wire hookup)
- 6 0-10 Vdc (Isolated, 4 wire hookup)
- 9 0-5 Vdc (3 wire hookup)
- 10 0-10 Vdc (3 wire hookup)

Isolated= Input isolated from Output signal

PRESSURE RANGE (PSI)

Contact factory for non-standard pressure ranges.

*Can dia. 1.5"

PP 0-15 *	RH 0-500
PR 0-20 *	RK 0-1,000
PO 0-25 *	RO 0-1,500
PT 0-30 *	RR 0-2,000
PV 0-50	RT 0-3,000
PZ 0-100	RV 0-5,000
RB 0-150	RX 0-7,500
RD 0-200	SB 0-15,000
RF 0-300	

PRESSURE TYPE

D Differential

OPTIONS

CONNECTORS

CA	PTIH-10-6P Bendix
CI	D38999/27YB98PN
DB	D38999/27YA35PN

PORTS

FA	MS33649-4, 7/16-20 (F)
FD	MS33656-4, 7/16-20 (M)

MISC:

GB	Alternate full scale outputs
GD	10 X Proof Pressure (may affect overall performance, not available with options D, GF, GK, GP, less <50 psi)
GH	100% Internal Shunt
GK	Inconel Pressure Cavity
GL	Cleaning for oxygen service
GP	Hastelloy Pressure Cavity
JA	100 ohm 2 wire Platinum RTD, 0.0385 alpha
JB	1000 ohm 2 wire Platinum RTD, 0.0385 alpha
ME	Shunt cal, 80% Internal
MS	Bi-Directional allows for both positive and negative output, for option 3, 12 mA zero.