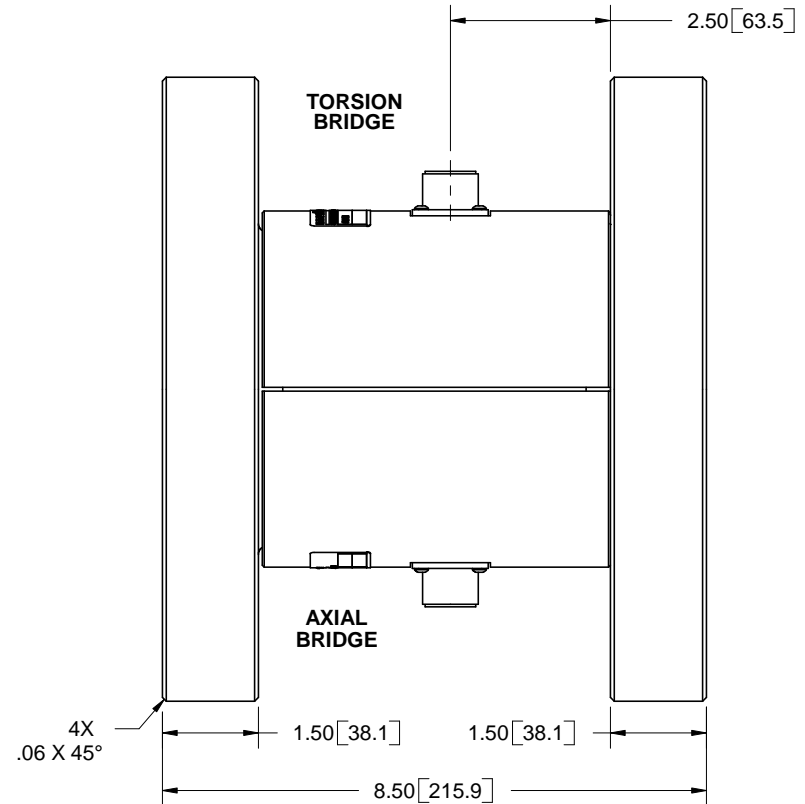
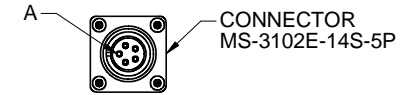
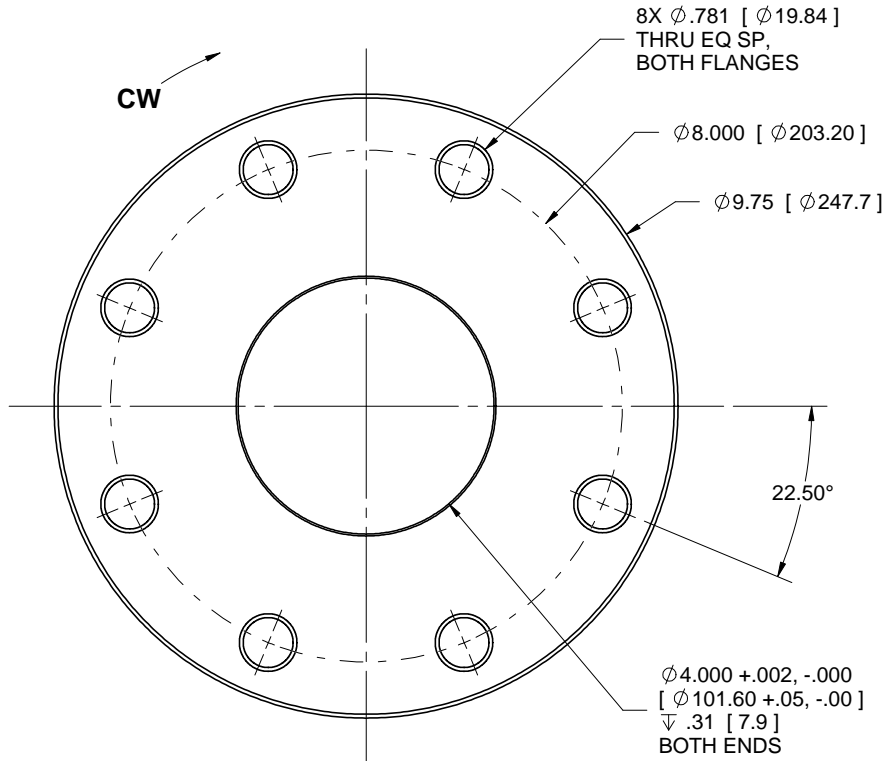


Interface Inc. claims proprietary rights in the information disclosed herein. This drawing is furnished in confidence on the express understanding that neither it nor any reproduction thereof will be disclosed to others or used for the purpose of manufacture or procurement of the article or part shown hereon without written permission of Interface Inc. The drawing shall remain the property of Interface Inc. and shall be returned upon request by Interface Inc.

81167

REVISIONS

REV	DESCRIPTION	DATE	APPROVED
A	INITIAL RELEASE	06/04/12	<i>Me</i>



LIVE END

FIXED END

- TORSION CAPACITY 200K lb-in.
AXIAL CAPACITY 150K lbf.
- ANGULAR TOLERANCE: $\pm 0^\circ 30'$.
- DIMENSIONAL TOLERANCE: ± 0.01 (± 0.3).
- DIMENSIONS IN INCHES & (mm).

TORSION

CONNECTOR PINOUT	
PIN	FUNCTION
A	+ EXCITATION
B	+ SIGNAL
C	- SIGNAL
D	- EXCITATION
E	N/C

CW UPSCALE

AXIAL

CONNECTOR PINOUT	
PIN	FUNCTION
A	+ EXCITATION
B	+ SIGNAL
C	- SIGNAL
D	- EXCITATION
E	N/C

TENSION UPSCALE

REMOVE BURRS AND SHARP
EDGES .02 MAX
SURFACE FINISH 63 MICROINCHES

CREATOR DATE

DESIGNED: KEN V. 05/31/12

DETAILED: AL 05/31/12

CAM DATA:

interface
ADVANCED FORCE MEASUREMENT
7401 E. BUTHRUS DR. SCOTTSDALE, AZ USA 85260

TITLE:
**OUTLINE: 5613-200K
AXIAL - TORSION CELL**

SIZE: DWG. NO: **81167** REV:
A

SCALE: 1:3 SHEET 1 OF 1

CAD FILE <N:\-81167A.SLD***>