



Pressure, Level & Temperature Transmitters & Transducers

U.K. Distributor; Interface Force Measurements

e-mail info@interface.uk.com

www.interface.uk.com

SUBMERSIBLE LIFT STATION / SLUDGE LEVEL TRANSMITTER

Model 311-M351



FEATURES:

- All-welded, stainless steel construction
- Rugged, all encapsulated electronics
- Leakproof
- Intrinsically safe
- RFI and surge protection
- 3 mV/V, 0-5 Vdc, 4-20 mA outputs

PRESSURE RANGES:

- From 0-5 to 0-500 psi

APPLICATIONS:

- Raw sewage wetwells
- Lift station level
- Process sumps
- Water tanks and reservoirs

ACCURACY:

- 0.5% FSO standard, 0.25% available

Accuracy:

- Static error band (Includes Hysteresis, Non-linearity, Non-Repeatability) $\pm 0.5\%$ FSO RSS, standard, $\pm 0.25\%$ FSO (RSS) optional

Temperature Limits:

- Compensated: 0° F to +140° F
- Operating Models 111, 211, 311: -40° F to +150° F
- Effect on Zero & Span: Less than $\pm 2.0\%$ FSO/100° F for each.

Electricals:

- Excitation Voltage: (Model 111) 3.5-15 Vdc (Model 211) 10.5-42 Vdc (Model 311/311Z) 9-36 Vdc
- Input Current: (Model 211) 8 mA, nominal
- Output Current: (Model 211) 2.0 mA max. for less than 0.1% FSO attenuation.
- Input Impedance: (Model 111) 5,000 ohm nominal.
- Load Impedance: (Model 211) 50,000 ohms min. for less than 0.1% FSO attenuation (Model 311) 1350 ohms max. at 36 Vdc & 750 ohms at 24 Vdc
- Range Calibration Signal: (Model 111) Resistance value provided on calibration card for 100% FSO (Model 211 & 311) see option GH
- Zero Balance: $\pm 1\%$ FSO at 70° F
- Insulation Resistance: Greater than 10 megohms at 50 Vdc and 70° F
- Resolution: infinite

Mechanicals:

- Proof Pressure: 2 X full scale pressure
- Burst Pressure: 5 X full scale pressure
- External Pressure: 500 psi max.
- Case Materials: Types 316 SST
- Weight: 5.5 lbs.
- Materials in contact with measured fluids: Type 316 SST

Connections:

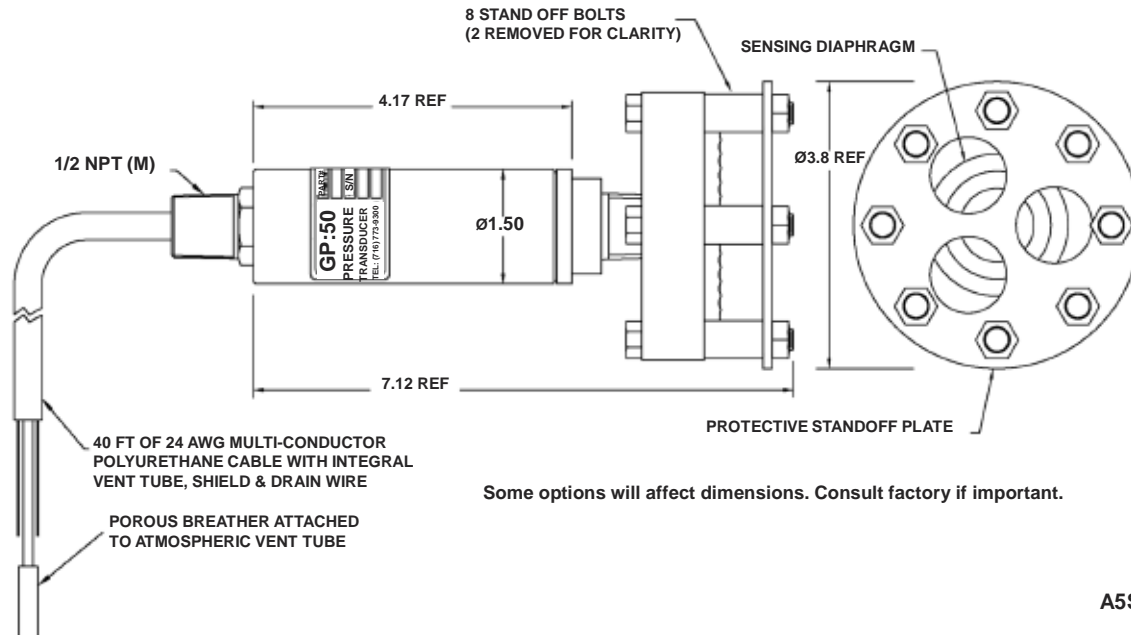
- Pressure: Oil filled diaphragm
- Electrical: 1/2" NPT conduit with molded polyurethane jacket.

Identification:

- SST name plate welded to body

WIRING:	111	211	311/311Z
RED	+EXC.	+EXC.	+EXC./SIGNAL
GREEN	+SIGNAL	+SIGNAL	NC
WHITE	-SIGNAL	NC	NC
BLACK	-EXC.	-EXC./SIGNAL	-EXC./SIGNAL
BLUE	CALIBRATE	NC OPTION GH	NC OPTION GH
BROWN	CALIBRATE	NC OPTION GH	NC OPTION GH
SHIELD	OPEN	OPEN	OPEN

Approvals



A5SL-311M351.00 Rev D

GP:50 reserves the right to make product improvements and amendments to the product specifications stated throughout this brochure without prior notification. Please contact the factory on all critical dimensions and specifications for verification



Pressure, Level & Temperature Transmitters & Transducers

U.K. Distributor; Interface Force Measurements

e-mail info@interface.uk.com •

www.interface.uk.com

SUBMERSIBLE LIFT STATION / SLUDGE LEVEL TRANSMITTER Model 311-M351

Typical configurations (consult factory for more options)

MODEL

111- M351	3 mV/V
211- M351	5 Vdc
311- M351	4 - 20 mA
311Z- M351	4 - 20 mA, Intrinsically Safe

ACCURACY

B	0.5% RSS
C	0.2% RSS

PRESSURE RANGE (PSI)

PJ 5	PV 50
PN 10	PX 75
PP 15	PZ 100
PR 20	RB 150
PO 25	RD 200
PT 30	SZ Other

PRESSURE TYPE

2	Gauge
3	Absolute
6	Sealed Gauge
8	Elevated

OPTIONS

AA	1/2" NPT Male conduit with 40' AWG vented cable.
CT	Tefzel jacketed cable.
GA	Standardized output to $\pm 0.5\%$ FSO.
GB	Alternate output, pressure units, or full scale outputs that are non-standard.
GE	Improved temperature compensation to $\pm 0.5\%$ FSO unless otherwise specified.
GG	Alternate Calibration signal.
GH	Internal calibration resistor set to $100 \pm 0.5\%$ FSO unless otherwise specified.
GS	0-10 VDC FSO, Model 211 (Requires 16-32 Vdc excitation).
JH	Remote cable mounted (in-line) zero & span controls. 3' cable on open side. Length of cable on closed side as required. (500' maximum) Model 311 only.
GZ	Customer special.
G2	Lightning Protection

NOTE:

Specifications reflect standard product, improved performance / mechanical options available.

Modifications may alter specs, consult factory for more information.