

Model 2300 High Capacity Load Cell

- Capacities 630, 1000, 1200, 2000 kN
- Accuracy class 0.05% FS
- Tension & compression
- Low profile, small mass
- Flange mounted
- Dual bridge available



OPTIONS

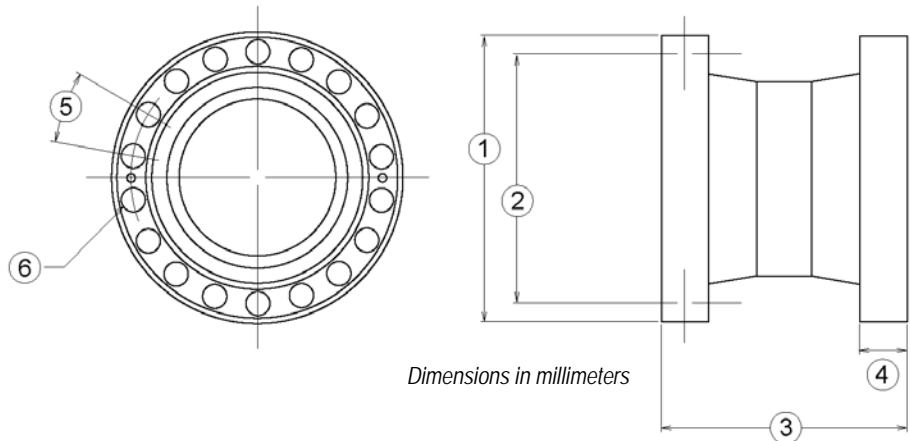
1. Fixed cable or plug connection
2. Redundancy: Dual bridge for axial force measurement
3. TEDS calibration IEEE 1451.4

DIMENSIONS

| Model | 2330 | 2340 | 2350 |
|---------------|--------------------------------------|------------|----------|
| Capacity (kN) | 630 | 1000, 1200 | 2000 |
| (1) | 197 | 240 | 305 |
| (2) | 160 | 200 | 250 |
| (3) | 160 | 230 | 326 |
| (4) | 25 | 40 | 57.5 |
| (5) | 30° | 30° | 30° |
| (6) | M20 x 12 | M24 x 12 | M30 x 12 |
| Weight-kg | 9 | 19 | 46 |
| | Recommended Mounting Plate Thickness | | |
| | 70 | 100 | 140 |

SPECIFICATIONS

| MODELS (kN) | 630, 1000, 2000 |
|---------------------------------|-----------------|
| ACCURACY – (MAX ERROR) | |
| Static Error Band-% FS | ±0.05 |
| Nonlinearity-% FS | ±0.05 |
| Hysteresis-% FS | ±0.1 |
| Nonrepeatability-% RO | ±0.02 |
| Creep, in 20 min-% | ±0.025 |
| Side Load Sensitivity-% | ±0.25 |
| Eccentric Load Sensitivity-%/mm | ±0.5 |
| TEMPERATURE | |
| Compensated Range-°C | 10 to 60 |
| Operating Range-°C | 10 to 60 |
| Effect on Zero-% RO/°C – MAX | 0.0025 |
| ELECTRICAL | |
| Rated Output-mV/V (Nominal) | 2 |
| Excitation Voltage-VDC MAX | 20 |
| MECHANICAL | |
| Fatigue Range-%CAP | ±80 |



2300 Rev Date 10/18/2011