

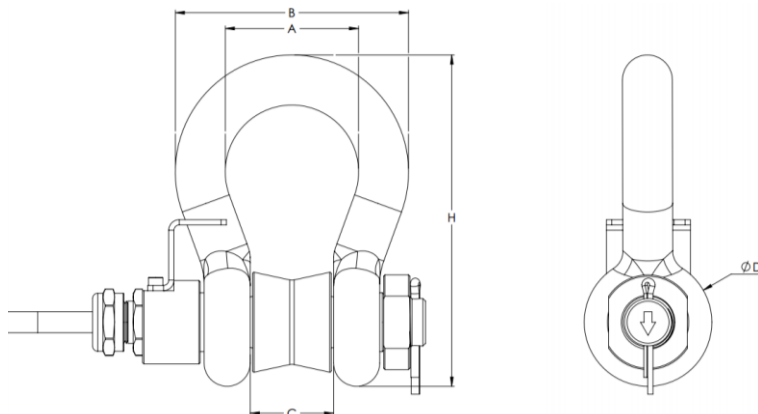
Product Description

Load Cell Shackle Pins are stainless steel shear pin type load cells with high performance over a wide range of operating temperature. These load pins are combined with Crosby G-2130 bolt type shackles to create a simple yet reliable load monitoring system. This range is offered with cable and connector versions, and sealed to IP67 to be used in harsh environments.

Specification

Parameter	Range	Notes
Rated capacity (FS)	1, 2, 3.25, 4.75, 6.5, 9.5, 12 te	
Proof load	150% of rated capacity	
Ultimate breaking load	300% of rated capacity	
Sensitivity	2mV/V Nominal	Amplified and digitised versions available to order
Non-linearity	+/- 0.5% FS nominal	MAX 1% FS
Repeatability	+/- 0.1% FS nominal	MAX 0.2% FS
Zero balance	+/- 2% FS	
Zero temp coefficient	0.01% FS / °C	
Sensitivity temp coefficient	0.02% FS / °C	
Compensated temp range	-15 °C TO 70 °C	Ideal operating temp range
Operating temp range	-40 °C TO 70 °C	
Cable length	10m long, 4-core	Specify other lengths or 6-core, if required, at time of ordering
Connector	M12 male connector, 4-pole or 8-pole	Select connector option, 4-pole or 8-pole, at time of ordering
Protection class	IP67	

Dimensions (in mm)



Model	Rated Capacity	A	B	C	D	H
ASHK-1	1	26.2	45.2	16.8	23.1	63
ASHK-2	2	33.3	58.5	20.6	30.2	83.5
ASHK-3	3.25	42.9	74.5	26.9	38.1	106
ASHK-4	4.75	51	89	31.8	46	126
ASHK-5	6.5	58	102	36.6	53	148
ASHK-6	9.5	74	131	46	68.5	190
ASHK-7	12	82.5	146	51.5	76	210

Wiring

Cable Version

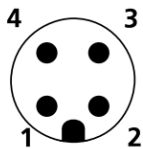
- Standard product is provided with 24 AWG cable

Function	Wire Colour
Red	Input +
Black	Input -
Green	Output +
White	Output -

Connector Version

- Integral 4-pole M12 male connector

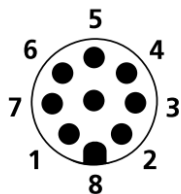
4 pole



Pin	Function
1	Input +
2	Input -
3	Output +
4	Output -

- Integral 8-pole M12 male connector

8 pole



Pin	Function
1	Input +
2	Input -
3	Output +
4	Output -
5	Sense +
6	Sense -
7	No connection
8	No connection