



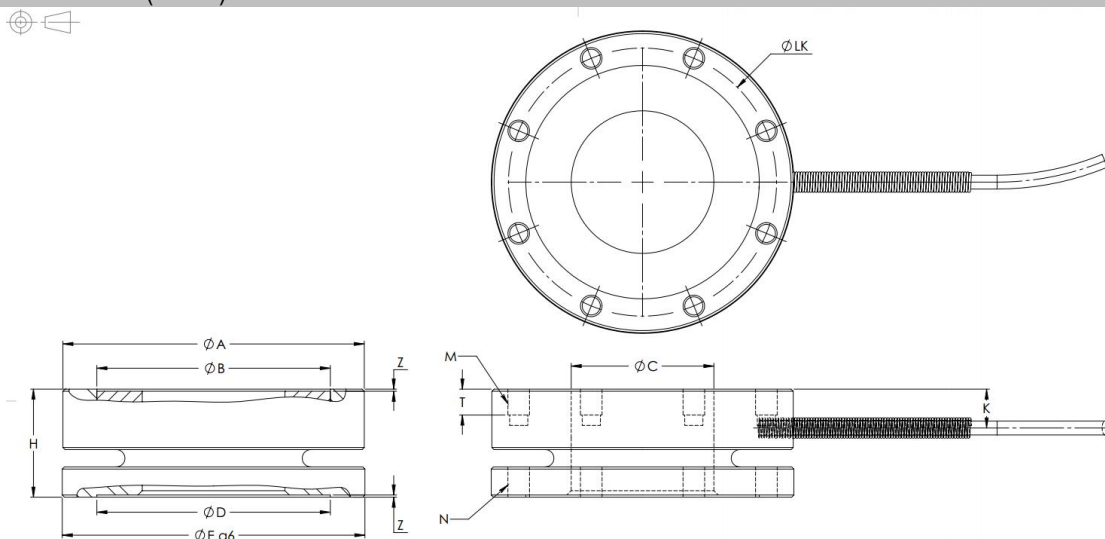
## Product Description

Press Force Load Cells are strain gauge based transducers for press-force monitoring. This type offers capacities up to 100 kN with compensated temperature performances. Cable is contained within a stainless steel spring for strain relief purposes for additional protection.

## Specification

Parameter	Range	Notes
Capacity (kN)	2,5,10, 20, 50 and 100	
Safe overload	200% FS	No influence on measurement
Ultimate load	>300% FS	
Sensitivity (mV/V)	1 +/- 20%	Voltage, current loop or digital output versions are available on request
Non-linearity	+/- 0.25% FS	+/- 0.5% FS MAX
Hysteresis	+/- 0.25% FS	+/- 0.5% FS MAX
Repeatability	+/- 0.1% FS MAX	
No load offset	+/- 2% RO	+/- 5% for welded version
Zero temp coefficient	0.02% RO / °C	
Sensitivity temp coefficient	0.02% RO / °C	
Compensated temp range	-15 °C TO 70 °C	
Operating temp range	-40 °C TO 70 °C	
Bridge resistance (Ohm)	700	
Excitation voltage (V)	2-12	
IP rating	60	67 for welded version
Material	Stainless steel	

## Dimensions (in mm)



Nominal Force [kN]	A	B	C	D	E	H	K	Z	M	T	LK	N
2 / 5 / 10 / 20	69.7	54	33	54	70	25	9	0.5	M5, 8 x 45°	6	62	M5, 8 x 45°
50 / 100	111.5	97	70	97	112	35	13	1.1	M6, 8 x 45°	10	104	M6, 8 x 45°

## Wiring

Sensor is provided with 3m, 24 AWG wire (Other lengths are available on request). Voltage, current loop or digital output versions are also available on request.

