

**RoHS**

## Product Description

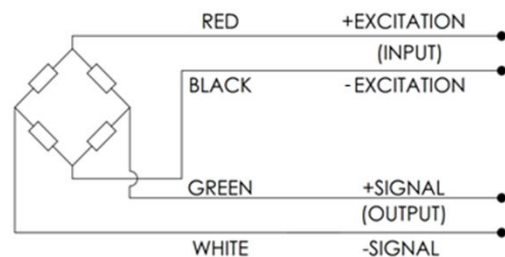
AILC3, AILC4 & AILC5 Miniature Threaded In Line Load Cells are strain gauge based transducers with temperature compensation and excellent overall performance. This type measures tensile and compressive loads up to 50kN with better than  $\pm 0.5\%$  non-linearity. This type is also available with fully welded cover.

## Performance Specifications

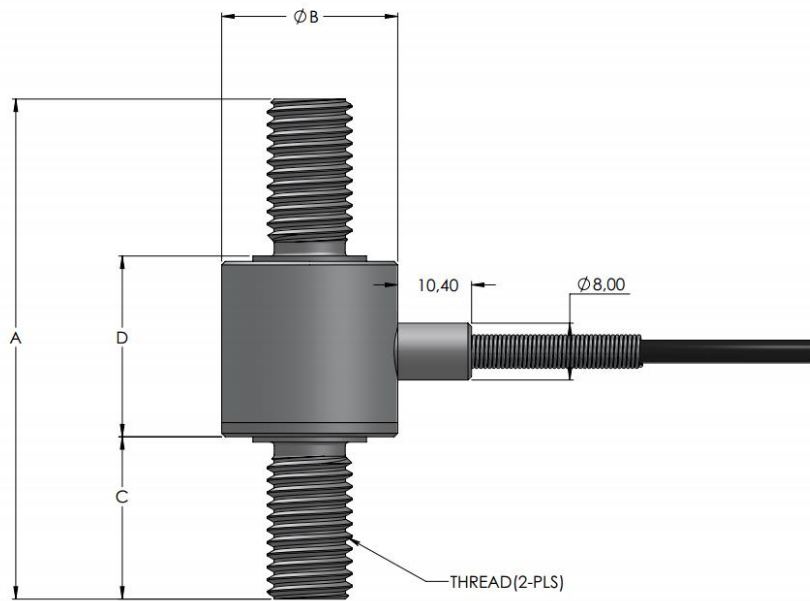
Parameter	Range	Notes
Capacity	10kN, 20kN & 50kN	With metric threads as standard
Rated Output (RO)	2mV/V nom.	
Allowable maximum load	150% full scale	No effect on performance
Non-linearity	$\pm 0.5\%$ of RO MAX	
Hysteresis	$\pm 0.5\%$ of RO MAX	
Repeatability	$\pm 0.1\%$ of RO MAX	
Zero balance	5% of RO MAX	
Zero temp coefficient	0.01% FS / °C	
Span temp coefficient	0.02% FS / °C	
Compensated temp range	-15 °C TO 70 °C	Wider range available to order
Operating temp range	-20 °C TO 80 °C	Wider range available to order
IP Rating	IP64	IP67 for welded version
Bridge resistance	1000 ohm nom.	

## Wiring

- The load button is provided with 4x28 AWG wiring within a braided shielded cable (overall cable length 3m).
- 6-wire cable is available to order
- Connector with integrated TEDS chip is available to order



## Dimensions



MODEL	CAPACITY	A	B	C	D	THREAD
AILC3	10kN	38.10mm[1.50"]	24.80mm[.98"]	10.65m[.42"]	17.55mm[.69"]	M10x1.5-6g
AILC4	20kN	70.40mm[2.77"]	24.80mm[.98"]	22.85mm[.90"]	25.45mm[1.00"]	M12x1.75-6g
AILC5	50kN	70.40mm[2.77"]	28.30mm[1.11"]	22.10mm[.87"]	26.20mm[1.03"]	M16X2.0-6g