

# SENSORS LX205:40.40.10

## PRODUCT DESCRIPTION

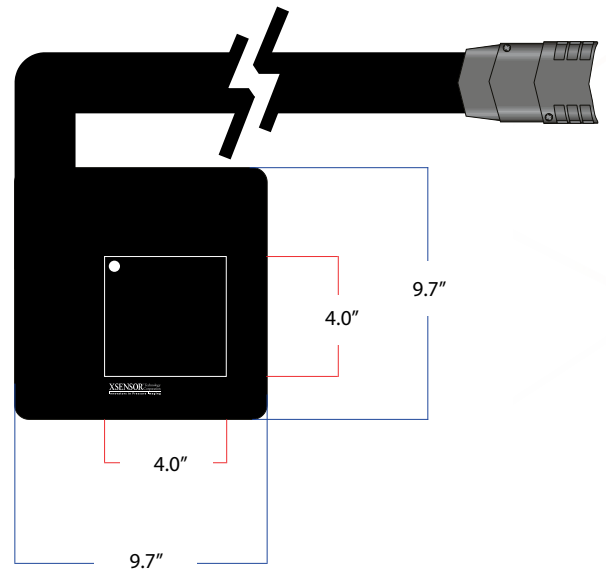
The LX205:40.40.10 is a mid-range pressure sensor with over 16,000 sensing points. The sensor can be used for measuring hand pressures on surfaces, automated clamping pressures, seal pressures, and for higher pressure research or design testing. The LX205:40.40.10 is a thin and conformable sensor that can fit into tight spaces and can be used on uneven surfaces. Additionally, the sensor provides a very fast data acquisition rate for capturing rapid movements.

SENSING	
<b>Sensor Technology</b>	Capacitive Pressure Imaging
<b>Pressure Range</b>	0.1-15psi
	0.7-10.3N/cm <sup>2</sup>
<b>Spatial Resolution</b>	0.1"      2.54mm
<b>Accuracy</b>	± 10% full scale*
<b>Sampling Frame Rate</b>	39 frames/s**

PHYSICAL CHARACTERISTICS		
<b>Total Area</b>	9.7" x 9.7"	24.8cm x 24.8cm
<b>Sensing Area</b>	4" x 4"	10.2cm x 10.2cm
<b>Thickness</b> (Sensing Area, uncompressed)	0.03"	0.09cm
<b>Thickness</b> (Border – cabling side)	0.04"	0.11cm
<b>Border Width</b> (cabling side)	4"	10.2cm
<b>Border Width</b> (non-cabling side)	1.7"	4.4cm
<b>Cable</b>	31.5" x 2" x 0.16"	80cm x 5.1cm x 0.4cm
<b>Connector</b>	4.76" x 2.76" x 0.9"	12.1cm x 7cm x 2.3cm

SENSING	
<b>Ambient Temperature</b>	10°C–40°C
<b>Ambient Humidity</b>	5% to 90% RH

## LX205:40.40.10



## KEY FEATURES

- High-resolution sensors with a 2.54 mm pitch (resolution) and 1,600 sensing points
- Designed for high-quality pressure images with fast data acquisition
- Excellent for both lab and environmental testing
- Conformable sensor that can measure pressures on uneven surfaces

## REQUIREMENTS FOR OPERATION

- Each LX205:40.40.10 sensor must be connected to one X3 PRO SENSOR PACK
- The X3 PRO SENSOR PACK must be connected to an X3 PRO
- The X3 PRO needs to be connected to a power supply and a computer running XSENSOR software to function

\* When verified using the standard XSENSOR verification process.

\*\*Sampling rate based on using X3 PRO Electronics. Frame rate may vary based on computer configuration.

# SENSORS LX205:60.60.10

## PRODUCT DESCRIPTION

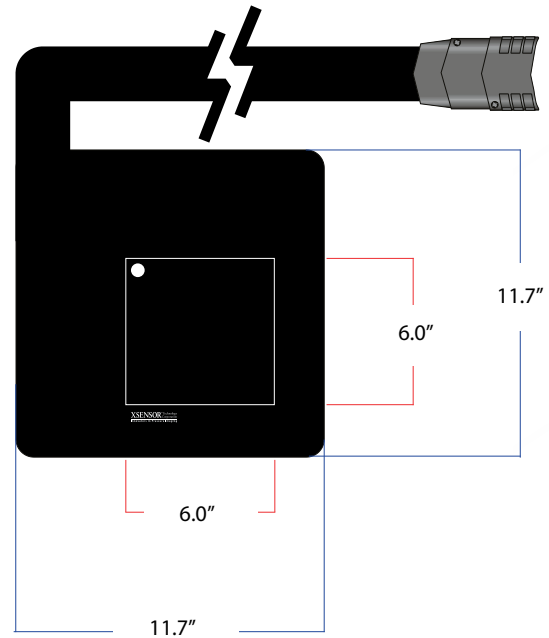
The LX205:60.60.10 is a mid-range pressure sensor with 3,600 sensing points. The sensor can be used for measuring hand pressures on surfaces, automated clamping pressures, seal pressures, and for higher pressure research or design testing. The LX205:60.60.10 is a thin and conformable sensor that can fit into tight spaces and can be used on uneven surfaces. Additionally, the sensor provides a very fast data acquisition rate for capturing rapid movements.

SENSING	
<b>Sensor Technology</b>	Capacitive Pressure Imaging
<b>Pressure Range</b>	0.1-15psi
	0.07-10.3/cm <sup>2</sup>
<b>Spatial Resolution</b>	0.1"      2.54mm
<b>Accuracy</b>	± 10% full scale*
<b>Sampling Frame Rate</b>	30 frames/s**

PHYSICAL CHARACTERISTICS		
<b>Total Area</b>	11.7" x 11.7"	29.8cm x 29.8cm
<b>Sensing Area</b>	6" x 6"	15.2cm x 15.2cm
<b>Thickness</b> <small>(Sensing Area, uncompressed)</small>	0.03"	0.09cm
<b>Thickness</b> <small>(Border – cabling side)</small>	0.04"	0.11cm
<b>Border Width</b> <small>(cabling side)</small>	4"	10.2cm
<b>Border Width</b> <small>(non-cabling side)</small>	1.7"	4.4cm
<b>Cable</b>	31.5" x 2" x 0.16"	80cm x 5.1cm x 0.4cm
<b>Connector</b>	4.76" x 2.76" x 0.9"	12.1cm x 7cm x 2.3cm

SENSING	
<b>Ambient Temperature</b>	10°C–40°C
<b>Ambient Humidity</b>	5% to 90% RH

## LX205:60.60.10



## KEY FEATURES

- High-resolution sensors with a 2.54 mm pitch (resolution) and 3,600 sensing points
- Designed for high-quality pressure images with fast data acquisition
- Excellent for both lab and environmental testing
- Conformable sensor that can measure pressures on uneven surfaces

## REQUIREMENTS FOR OPERATION

- Each LX205:60.60.10 sensor must be connected to one X3 PRO SENSOR PACK
- The X3 PRO SENSOR PACK must be connected to an X3 PRO
- The X3 PRO needs to be connected to a power supply and a computer running XSENSOR software to function

\* When verified using the standard XSENSOR verification process.

\*\*Sampling rate based on using X3 PRO Electronics. Frame rate may vary based on computer configuration.

# SENSORS **LX205:25.100.10**

## PRODUCT DESCRIPTION

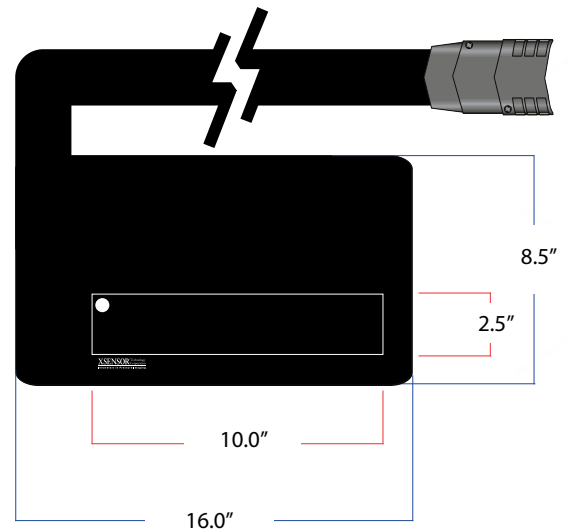
The LX205.100.10 sensor is small, narrow, high resolution sensor. The sensor has been used for assessing applied pressures from fingers, robotic hands, and other low pressure applications. Due to the resolution and the pressure range, the sensor can detect small changes in pressures and provides very clear images.

SENSING	
<b>Sensor Technology</b>	Capacitive Pressure Imaging
<b>Pressure Range</b>	0.1-15 psi
	0.07-10.3N/cm <sup>2</sup>
<b>Spatial Resolution</b>	0.1"   2.54mm
<b>Accuracy</b>	± 10% full scale*
<b>Sampling Frame Rate</b>	37 frames/s**

PHYSICAL CHARACTERISTICS		
<b>Total Area</b>	8.5" x 16"	21.75cm x 40.7cm
<b>Sensing Area</b>	2.5" x 10"	6.45cm x 25.4cm
<b>Thickness</b> (Sensing Area, uncompressed)	0.03"	0.09cm
<b>Thickness</b> (Border – cabling side)	0.04"	0.11cm
<b>Border Width</b> (cabling side)	4"	10.2cm
<b>Border Width</b> (non-cabling side)	2"	5.1cm
<b>Cable</b>	31.5" x 2" x 0.27"	80cm x 5.1cm x 0.7cm
<b>Connector</b>	4.76" x 2.76" x 0.9"	12.1cm x 7.0cm x 2.3cm

SENSING	
<b>Ambient Temperature</b>	10°C–40°C
<b>Ambient Humidity</b>	5% to 90% RH

## LX205:25.100.10



## KEY FEATURES

- High-resolution sensors with a 2.54 mm pitch (resolution) and 2,500 sensing points
- Designed for high-quality pressure images with exceptional detail
- Excellent for both lab and environmental testing
- Has been used to measure finger pressures

## REQUIREMENTS FOR OPERATION

- Each LX205:25.100.10 sensor must be connected to two X3 PRO SENSOR PACKS
- The X3 PRO SENSOR PACKS need to be connected to an X3 PRO
- The X3 PRO needs to be connected to a power supply and a computer running XSENSOR software to function

\* When verified using the standard XSENSOR verification process.

\*\*Sampling rate based on using X3 PRO Electronics. Frame rate may vary based on computer configuration.

# SENSORS LX205:50.100.10

## PRODUCT DESCRIPTION

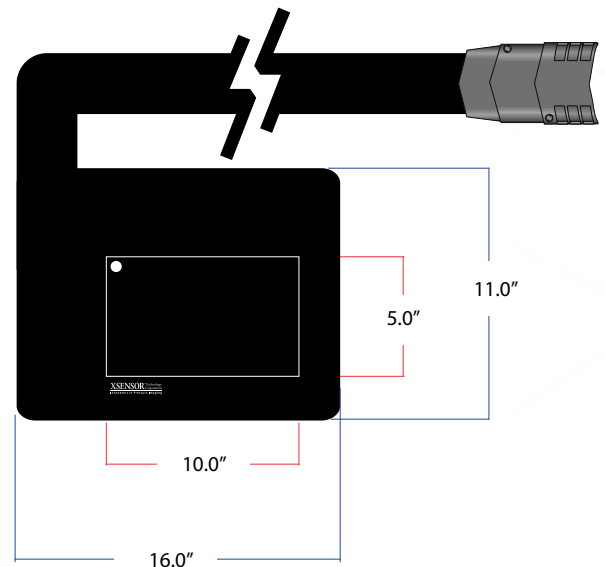
The LX205 series of sensors are designed as a conformable and durable sensor for measuring interface pressures. These capacitive sensors were initially designed for medical applications in rehabilitation seating and have since been more widely used in automotive seating, aerospace, research, and product design.

SENSING	
<b>Sensor Technology</b>	Capacitive Pressure Imaging
<b>Pressure Range</b>	0.1-15 psi
	0.07-10.3N/cm <sup>2</sup>
<b>Spatial Resolution</b>	0.1"   2.54mm
<b>Accuracy</b>	± 10% full scale*
<b>Sampling Frame Rate</b>	36 frames/s**

PHYSICAL CHARACTERISTICS		
<b>Total Area</b>	11" x 16"	28cm x 40.7cm
<b>Sensing Area</b>	5" x 10"	12.7cm x 25.4cm
<b>Thickness</b> <small>(Sensing Area, uncompressed)</small>	0.03"	0.09cm
<b>Thickness</b> <small>(Border – cabling side)</small>	0.04"	0.11cm
<b>Border Width</b> <small>(cabling side)</small>	4"	10.2cm
<b>Border Width</b> <small>(non-cabling side)</small>	2"	5.1cm
<b>Cable</b>	31.5" x 2" x 0.27"	80cm x 5.1cm x 0.7cm
<b>Connector</b>	4.76" x 2.76" x 0.9"	12.1cm x 7cm x 2.3cm

SENSING	
<b>Ambient Temperature</b>	10°C–40°C
<b>Ambient Humidity</b>	5% to 90% RH

## LX205:50.100.10



## KEY FEATURES

- High-resolution sensors with a 2.54 mm pitch (resolution) and 5,000 sensing points
- Designed for high-quality pressure images with exceptional detail
- Excellent for both lab and environmental testing

## REQUIREMENTS FOR OPERATION

- Each LX205:50.100.10 sensor must be connected to two X3 PRO SENSOR PACKS
- The X3 PRO SENSOR PACKS need to be connected to an X3 PRO
- The X3 PRO needs to be connected to a power supply and a computer running XSENSOR software to function

\* When verified using the standard XSENSOR verification process.

\*\*Sampling rate based on using X3 PRO Electronics. Frame rate may vary based on computer configuration.

# SENSORS LX205:100.100.10

## PRODUCT DESCRIPTION

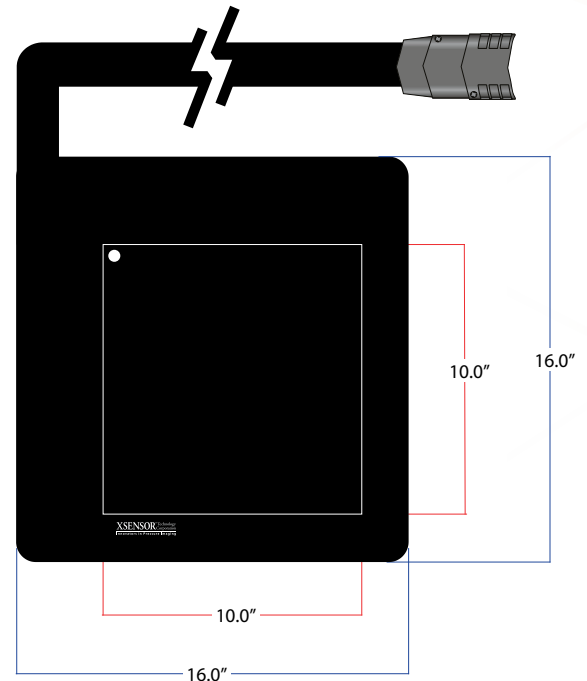
The LX205 series of sensors are designed as a conformable and durable sensor for measuring interface pressures. These capacitive sensors were initially designed for medical applications in rehabilitation seating and have since been more widely used in automotive seating, aerospace, research, and product design.

SENSING	
<b>Sensor Technology</b>	Capacitive Pressure Imaging
<b>Pressure Range</b>	0.1-15psi
	0.07-10.3N/cm <sup>2</sup>
<b>Spatial Resolution</b>	0.1"   2.54mm
<b>Accuracy</b>	± 10% full scale*
<b>Sampling Frame Rate</b>	14 frames/s**

PHYSICAL CHARACTERISTICS		
<b>Total Area</b>	16" x 16"	40.7cm x 40.7cm
<b>Sensing Area</b>	10" x 10"	25.4cm x 25.4cm
<b>Thickness</b> (Sensing Area, uncompressed)	0.03"	0.09cm
<b>Thickness</b> (Border – cabling side)	0.04"	0.11cm
<b>Border Width</b> (cabling side)	4"	10.2cm
<b>Border Width</b> (non-cabling side)	2"	5.1cm
<b>Cable</b>	31.5" x 2" x 0.27"	80cm x 5.1cm x 0.7cm
<b>Connector</b>	4.76" x 2.76" x 0.9"	12.1cm x 7cm x 2.3cm

SENSING	
<b>Ambient Temperature</b>	10°C–40°C
<b>Ambient Humidity</b>	5% to 90% RH

## LX205:100.100.10



## KEY FEATURES

- High-resolution sensors with a 2.54 mm pitch (resolution) and 10,000 sensing points
- Designed for high-quality pressure images with exceptional detail
- Excellent for both lab and environmental testing

## REQUIREMENTS FOR OPERATION

- Each LX205:100.100.10 sensor must be connected to two X3 PRO SENSOR PACKS
- The X3 PRO SENSOR PACKS need to be connected to an X3 PRO
- The X3 PRO needs to be connected to a power supply and a computer running XSENSOR software to function

\* When verified using the standard XSENSOR verification process.

\*\*Sampling rate based on using X3 PRO Electronics. Frame rate may vary based on computer configuration.