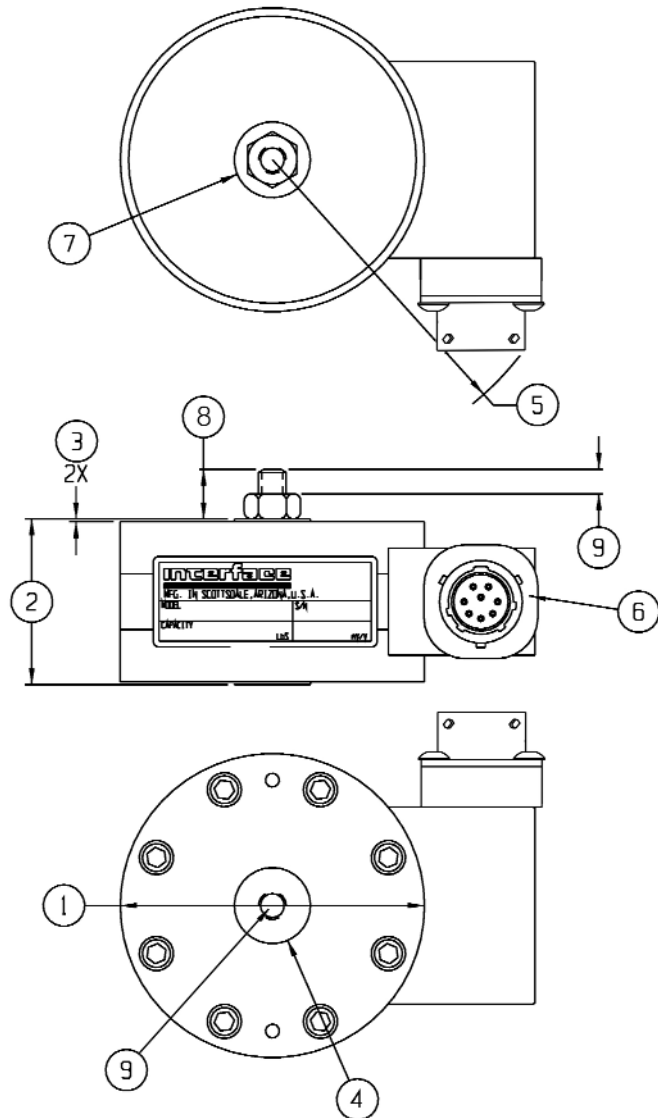
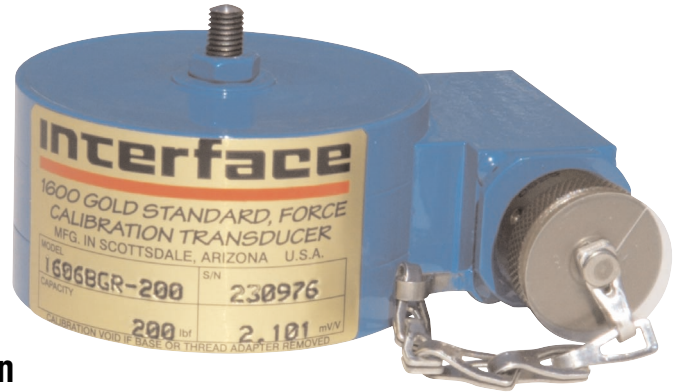


# Model 1606 Gold Standard™ Low Capacity Calibration Load Cell

Why the Interface model 1606 Gold Standard™ Low Capacity Calibration Load Cells are the best in class:

- Capacities from 50 lbf to 300 lbf (250N to 1,500N)
- Tension & compression in one unit
- .005% nonrepeatability
- .02% creep
- 3 run NIST traceable ASTM E74 calibration
- Factory installed calibration adapter
- Eccentric load compensated
- .0008%/°F temp. effect on output
- 4% lower load limit per ASTM E74
- Higher capacities available



## DIMENSIONS

See Drawing	CAPACITY	
	U.S. (lbf) 50,100,200,300	Metric (N) 250,500,1000,1500
	inch	mm
①	2.75	69.8
②	1.50	38.1
③	0.03	0.6
④	0.69	17.5
⑤	2.85	72.3
⑥	PT02E-12-8P	PT02E-12-8P
⑦	0.69	17.5
⑧	0.45	11.4
⑨	1/4-28 UNF 0.25 in deep	M6 X 1-6H 6.4 mm deep

**SPECIFICATIONS**

PARAMETERS	MODEL	
	1606	1606
	CAPACITY	
U.S. Models (lbf) Metric Models (N)	50 250	100, 200, 300 500, 1000, 1500
<b>ACCURACY – (MAX ERROR)</b>		
Static Error Band–% FS	±0.03	±0.02
Nonlinearity–% FS	±0.04	±0.03
Hysteresis–% FS	±0.03	±0.02
Nonrepeatability–% RO	±0.005	±0.005
Creep, 20 min–% ±0.02		±0.02
Side Load Sensitivity–%	±0.25	±0.25
Eccentric Load Sensitivity–%/in	±0.25	±0.25
Lower Load Limit–% Cap. (ASTM E74 CLASS A)	4.0	4.0
<b>TEMPERATURE</b>		
Compensated Range–°F	15 to 115	15 to 115
Compensated Range–°C	-10 to 45	-10 to 45
Operating Range–°F	-65 to 200	-65 to 200
Operating Range–°C	-55 to 90	-55 to 90
Effect on Zero–%RO/°F – MAX	±0.0008	±0.0008
Effect on Output–%/°F – MAX	±0.0008	±0.0008
<b>ELECTRICAL</b>		
Rated Output–mV/V (Nominal)	2.0	2.0
Excitation Voltage–VDC – MAX	20	20
Bridge Resistance–Ohm (Nominal)	700	700
Zero Balance–% RO	±1.0	±1.0
Insulation Resistance–Megohm	5000	5000
<b>MECHANICAL</b>		
Safe Overload–% CAP	±150	±150
Deflection @ RO–inch	0.003	0.003
Weight–lb	1.0	1.0
Connector	PT02E-12-8P	PT02E-12-8P
Calibration	T & C	T & C

**STANDARD CONFIGURATIONS**

PT02E-12-8 Connector (16xxAJH-nn)

**ACCESSORIES**

- Precision mV/V Transfer Standard
- Instrument Cable Assemblies
- Signal Conditioning Boards
- Gold Standard Calibration System
- Calibration Software

*Consult factory for more technical information*