

Model 1200 Standard High Capacity Load Cell (U.S. & Metric)

- Proprietary Interface temperature compensated strain gages
- Performance to .07%
- High output – to 4 mV/V
- Eccentric load compensated
- .0008%/°F (.0015%/°C) temp. effect on output
- Low deflection
- Shunt calibration
- Barometric compensation
- Tension and compression
- Compact size



Shown with optional base

SPECIFICATIONS

PARAMETERS	MODEL					
	1240	1244	1252	1260	1280	1290
	CAPACITY					
U.S. Models (lbf)	200K	270K	400K	600K	1000K	2000K
Metric Models (kN)	900	1200	1800	2700	4500	9000
ACCURACY – (MAX ERROR)						
Static Error Band-% FS	±0.07	±0.07	±0.10	±0.12	±0.15	±0.20
Nonlinearity-% FS	±0.07	±0.08	±0.10	±0.12	±0.15	±0.20
Hysteresis-% FS	±0.07	±0.08	±0.10	±0.12	±0.15	±0.20
Nonrepeatability-% RO	±0.01	±0.02	±0.02	±0.02	±0.02	±0.02
Creep, in 20 min-%	±0.025	±0.025	±0.025	±0.025	±0.025	±0.025
Side Load Sensitivity-%	±0.25	±0.25	±0.25	±0.25	±0.25	±0.25
Eccentric Load Sensitivity-%/in	±0.25	±0.25	±0.25	±0.25	±0.25	±0.25
TEMPERATURE						
Compensated Range-°F	15 to 115	15 to 115	15 to 115	15 to 115	15 to 115	15 to 115
Compensated Range-°C	-10 to 45	-10 to 45	-10 to 45	-10 to 45	-10 to 45	-10 to 45
Operating Range-°F	-65 to 200	-65 to 200	-65 to 200	-65 to 200	-65 to 200	-65 to 200
Operating Range-°C	-55 to 90	-55 to 90	-55 to 90	-55 to 90	-55 to 90	-55 to 90
Effect on Zero-%RO/°F – MAX	±0.0008	±0.0008	±0.0008	±0.0008	±0.0008	±0.0008
Effect on Zero-%RO/°C – MAX	±0.0015	±0.0015	±0.0015	±0.0015	±0.0015	±0.0015
Effect on Output-%RO/°F – MAX	±0.0008	±0.0008	±0.0008	±0.0008	±0.0008	±0.0008
Effect on Output-%RO/°C – MAX	±0.0015	±0.0015	±0.0015	±0.0015	±0.0015	±0.0015
ELECTRICAL						
Rated Output-mV/V (Nominal)	4.0	4.0	4.0	4.0	4.0	4.0**
Excitation Voltage-VDC MAX	20	20	20	20	20	20
Bridge Resistance-Ohm (Nominal)	350	350	350	350	350	350
Zero Balance-% RO	±1.0	±1.0	±1.0	±1.0	±1.0	±1.0
Insulation Resistance-Megohm	5000	5000	5000	5000	5000	5000
MECHANICAL						
Safe Overload-% CAP	±150	±150	±150	±150	±150	±150
Deflection @ RO-inch	0.005	0.006	0.007	0.008	0.008	0.010
Deflection @ RO-mm	0.13	0.15	0.18	0.2	0.2	0.25
Optional Base-P/N (Metric)	B105 (M)	B116 (M)	B121 (M)	B122 (M)	B123 (M)	B125 (M)
Natural Frequency-kHz	4.9	5.0	5.5	5.5	5.5	5.5
Weight-lb	68	70	100	200	450	860
Weight-kg	30.9	31.8	45	90	205	390
Connector	PC04E-10-6P	PC04E-10-6P	PC04E-10-6P	PC04E-10-6P	PC04E-10-6P	PC04E-10-6P
Calibration	T & C	T & C	T & C	T & C	T & C	T & C

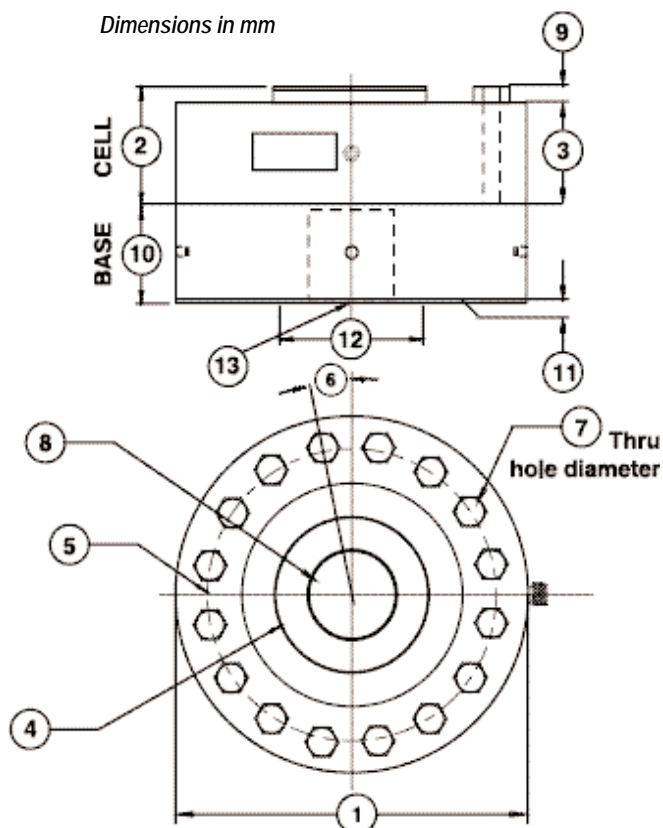
**Calibrated to 1000K only

1200 HC
UK 02.01.14

DIMENSIONS

See Drawing	MODEL											
	1240		1244		1252		1260		1280		1290	
	CAPACITY											
	U.S. (lbf)	Metric (kN)	U.S. (lbf)	Metric (kN)	U.S. (lbf)	Metric (kN)	U.S. (lbf)	Metric (kN)	U.S. (lbf)	Metric (kN)	U.S. (lbf)	Metric (kN)
	200K	900	270K	1200	400K	1800	600K	2700	1000K	4500	2000K	9000
	inch	mm	inch	mm	inch	mm	inch	mm	inch	mm	inch	mm
(1)	11.0	279.0	11.0	279.0	12.0	304.8	15.5	393.7	20.50	520.7	26.00	660.4
(2)	3.50	88.9	4.00	101.6	4.50	114.3	5.50	139.7	6.25	158.8	7.75	196.9
(3)	3.00	76.2	3.25	82.6	4.25	108.0	5.00	203.2	6.00	152.4	7.50	190.5
(4)	4.81	122.2	4.81	122.2	5.68	144.3	7.73	196.3	10.55	267.9	13.79	350.3
(5)	9.00	228.6	8.75	222.2	9.88	250.8	12.68	322.1	16.5	419.1	20.50	520.7
(6)	11.25°	11.25°	11.25°	11.25°	9.00°	9.00°	7.50°	7.50°	6.43°	6.43°	5.63°	5.63°
(7)	0.65	16.5	0.79	20.1	0.79	21.0	0.94	23.9	1.06	27.0	1.31	33.3
	16 places		16 places		20 places		24 places		28 places		32 places	
(8)	2 3/4-8 UNF-3B	M72 X 2-4H	2 3/4-8 UNF-3B	M72 X 2-4H	3 1/2-8 UN-3B	M90 X 3-4H	4 1/4-8 UN-3B	M120 X 4-4H	6.00-8 UN-3B	M150 X 4-4H	8.00-8 UN-3B	M200 X 4-4H
	3.25 in deep	82.6 mm deep	3.75 in deep	95.3 mm deep	3.75 in deep	95.3 mm deep	4.25 in deep	108 mm deep	5.63 in deep	130 mm deep	7.00 in deep	178 mm deep
(9)	0.50	12.7	0.50	12.7	0.59	15.0	0.69	17.5	1.00	25.4	1.25	31.3
(10)	3.00	76.2	4.00	101.6	4.50	114.3	5.00	127.0	7.00	177.8	9.00	228.6
(11)	0.03	0.80	0.03	0.80	0.03	0.80	0.03	0.80	0.03	0.80	0.10	2.5
(12)	4.50	114.3	4.50	114.3	6.00	152.4	7.75	196.9	10.55	267.9	14.00	355.6
(13)	2 3/4-8 UNF-3B	M72 X 2-4H	2 3/4-8 UNF-3B	M72 X 2-4H	3 1/2-8 UN-3B	M90 X 3-4H	4 1/4-8 UN-3B	M120 X 4-4H	6.00-8 UN-3B	M150 X 4-4H	8.00-8 UN-3B	M200 X 4-4H
	2.75 in deep	69.8 mm deep	2.75 in deep	69.8 mm deep	3.75 in deep	95.3 mm deep	4.25 in deep	108 mm deep	6.38 in deep	162 mm deep	7.25 in deep	184 mm deep

Dimensions in mm



OPTIONS

- Base (Recommended)
- Integral 10 ft Cable
- Bayonet Connector
- Multiple Bridge
- Standardized Output
- Transducer Electronic Data Sheet (TEDS)

ACCESSORIES

- Mating Connector
- Instrumentation
- Loading Hardware

STANDARD CONFIGURATIONS

- 10 ft Integral Cable (12xxAJ-nn)
- <or> PC04E-10-6P Standard Connector (12xxAF-nn)
- <or> PT02E-10-6P Bayonet Connector (12xxCDS-nn)
- Installed Base (-B suffix)